

**APPENDIX A**

**SECTION 00801 – MINORITY BUSINESS ENTERPRISE PROCEDURES**

**MINORITY BUSINESS ENTERPRISE PROCEDURES  
FOR  
STATE FUNDED  
PUBLIC SCHOOL CONSTRUCTION PROJECTS**

Revised JUNE 2008

**Approved by the Montgomery County Board of Education  
on October 1, 2017**

**These procedures supersede the latest procedures which were previously approved July 6, 2005.**

**DATE OF ORIGINAL APPROVAL: September 22, 2008**

**DATE OF REVISION: October 1, 2017**

These procedures were approved by the Interagency Committee on School Construction on June 26, 2008, revised October 1, 2017, and shall be utilized by each public school system in Maryland as a condition for the receipt of State funds through the Public School Construction Program.

The effective date for implementation for projects in Montgomery County is October 11, 2017.

# MINORITY BUSINESS ENTERPRISE PROCEDURES FOR STATE FUNDED PUBLIC SCHOOL CONSTRUCTION PROJECTS

## TABLE OF CONTENTS

<u>SUBJECT HEADING</u>	<u>PAGE</u>
BACKGROUND OVERVIEW	1
1.0 PURPOSE	1
2.0 EFFECTIVE DATE	2
3.0 DEFINITIONS	2
4.0 MBE GOAL SETTING PROCEDURES	4
5.0 IMPLEMENTING PROCEDURES - \$50,000 OR LESS	5
6.0 IMPLEMENTING PROCEDURES - OVER \$50,000	6
1. ADVERTISEMENTS, SOLICITATIONS AND SOLICITATION DOCUMENTS	6
2. OTHER ADVERTISEMENT AND OUTREACH REQUIREMENTS	7
3. ALL SOLICITATION DOCUMENTS SHALL INCLUDE	7
4. WAIVER PROCEDURES	9
5. ALL CONTRACTS SHALL INCLUDE	10
6. PROJECTS UTILIZING A CONSTRUCTION MANAGER DELIVERY METHOD	12
7. PROJECTS UTILIZING AN INDEFINITE DELIVERY/INDEFINITE QUANTITY (IDIQ) OR JOB ORDER CONTRACT (JOC) DELIVERY METHOD	13
8. PROJECTS UTILIZING THE DESIGN/BUILD DELIVERY METHOD	13
7.0 RECORDS AND REPORTS	14
8.0 MONITORING	15
9.0 MINORITY BUSINESS ENTERPRISE LIAISON	16
 <u>ATTACHMENTS</u>	
ATTACHMENT A - CERTIFIED MINORITY BUSINESS ENTERPRISE UTILIZATION AND FAIR SOLICITATION AFFIDAVIT	A-1
ATTACHMENT B - MBE PARTICIPATION SCHEDULE	B-1
ATTACHMENT C - OUTREACH EFFORTS COMPLIANCE STATEMENT	C-1
ATTACHMENT D - MINORITY BUSINESS ENTERPRISES SUBCONTRACTOR PROJECT PARTICIPATION STATEMENT	D-1
ATTACHMENT E - MINORITY SUBCONTRACTOR UNAVAILABILITY CERTIFICATE	E-1
ATTACHMENT F - MBE WAIVER DOCUMENTATION	F-1
ATTACHMENT G - STANDARD MONTHLY CONTRACTOR'S REQUISITION FOR PAYMENT (IAC/PSCP FORM 306.4, PAGE 3 OF 16)	G-1
ATTACHMENT H - CLOSE-OUT COST SUMMARY (IAC/PSCP FORM 306.6)	H-1

# MINORITY BUSINESS ENTERPRISE PROCEDURES FOR STATE FUNDED PUBLIC SCHOOL CONSTRUCTION PROJECTS

## BACKGROUND

In 1978, the Maryland General Assembly passed legislation, which was signed into law to establish the State's Minority Business Enterprise Program. This new law set as a goal that at least 10 percent of each unit of State government's total dollar value of procurement contracts for purchases and/or contracts be awarded to minority business enterprises. This law was subsequently modified and the goal was increased to 14 percent. More recently, in 2001, the goal was increased to 25 percent with subcontracting sub-goals of 7 percent for certified African American-owned businesses and 10 percent for certified women-owned businesses.

In 1979, the Rules, Regulations, and Procedures for the Administration of the School Construction Program were revised by the Board of Public Works to require each local board of education to adopt procedures to attempt to include minority business enterprises in State funded school construction projects. The State law was revised and now states: "The Interagency Committee on School Construction (IAC) shall require each local board of education to adopt procedures consistent with this chapter before obtaining funds for public school construction projects".

In May 2007, the Rules, Regulations, and Procedures were replaced by regulations. The regulations concerning project procurement (COMAR 23.03.03) indicate that the State's minority business enterprise goals and procedures apply to all State funded projects, irrespective of procurement method.

## OVERVIEW

This Minority Business Enterprise (MBE) procedure document was originally developed in response to a requirement set forth in the Rules, Regulations, and Procedures for the Administration of the School Construction Program. The MBE requirement was originally established under HB 64, which was passed in the 1978 session of the Maryland General Assembly and signed into law as Chapter 575 of the Acts of 1978.

Since the Board adopted its original Minority Business Enterprise Procedures, there have been changes in State statutes, regulations adopted by the Board of Public Works, procedural requirements, project eligibility requirements and the level of State participation in school construction projects. This revised procedure is consistent with current legislation and the changes to the Code of Maryland Regulations (COMAR) requirements, effective November 7, 2005 and May 21, 2007.

### 1.0 PURPOSE

The purpose of the Procedures is to fulfill the intent of the law by setting goals for minority business enterprise participation in every contract that includes State funding through the Public School Construction Program. Local Educational Agencies (LEAs) shall attempt to achieve the result that a minimum of 25 percent of the total dollar value of all construction contracts is made directly or indirectly with certified minority business enterprises when State Public School Construction Program (PSCP) funds are utilized, with a minimum of 7 percent from certified African American-owned businesses, a minimum of 10 percent from certified women-owned businesses, and the balance from any certified minority business enterprises. All general contractors, including certified MBE firms, when bidding as general or prime contractors are required to attempt to achieve the MBE subcontracting goals from certified MBE firms.

### 2.0 EFFECTIVE DATE

These procedures have been adopted for use in Montgomery County and supersede previously utilized MBE procedures, and will take effect on or after September 22, 2008.

### 3.0 DEFINITIONS

1. **Certification** means the determination that a legal entity is a minority business enterprise consistent with the intent of Subtitle 3 of the State Finance and Procurement Article.

2. **Certified Minority Business Enterprise** means a minority business that holds a certification issued by the Maryland State Department of Transportation (MDOT).
3. **Corporation**, as defined by MDOT, is an artificial person or legal entity created by or under the authority of the laws of any state of the United States, the District of Columbia or a territory or commonwealth of the United States and formed for the purpose of transacting business in the widest sense of that term, including not only trade and commerce, but also manufacturing, mining, banking, insurance, transportation and other forms of commercial or industry activity where the purpose of the organization is profit. For eligibility for certification, disadvantaged and/or minority individuals must own at least 51 percent of the voting stock and at least 51 percent of the aggregate of all classes of stock that have been issued by the corporation. (Note: stock held in trust is not considered as stock held by the disadvantaged businesspersons when computing the business person(s) ownership.)
4. **Managerial Control**, as defined by MDOT, means that a disadvantaged or minority owner(s) has the demonstrable ability to make independent and unilateral business decisions needed to guide the future and destiny of a business.

Control may be demonstrated in many ways. For a minority owner to demonstrate control, the following examples are put forth, but are not intended to be all inclusive:

- a. Articles of Incorporation, Corporate Bylaws, Partnership Agreements and other agreements shall be free of restrictive language which would dilute the minority owner's control thereby preventing the minority owner from making those decisions which affect the destiny of a business;
  - b. The minority owner shall be able to show clearly through production of documents the areas of the disadvantaged business owner's control, such as, but not limited to:
    - 1) Authority to sign payroll checks and letters of credit;
    - 2) Authority to negotiate and sign for insurance and/or bonds;
    - 3) Authority to negotiate for banking services, such as establishing lines of credit; and
    - 4) Authority to negotiate and sign for contracts.
  - c. Agreements for support services that do not lessen the minority owner's control of the company are permitted as long as the disadvantaged or minority business owner's authority to manage the company is not restricted or impaired.
5. **Minority Business Enterprise (MBE)** means any legal entity, except a joint venture, that is (a) organized to engage in commercial transactions, and (b) at least 51 percent owned and controlled by one or more individuals who are socially and economically disadvantaged including:

African Americans;  
American Indian/Native Americans;  
Asians;  
Hispanics;  
Physically or mentally disabled individuals;  
Women; or  
A non-profit entity organized to promote the interests of physically or mentally disabled individuals.

6. **Minority Business Enterprise Liaison** means the employee of the school system designated to administer the Minority Business Enterprise Procedures for State funded public school construction projects.
7. **Operational Control**, as defined by MDOT, means that the disadvantaged or minority owner(s) must possess knowledge necessary to evaluate technical aspects of the business entity. The primary consideration in determining operational control and the extent to which the disadvantaged or minority owner(s) actually operates a business will rest upon the specialties of the industry of which the business is a part. The minority owner specifically, in the construction industry and especially among small (one to five person firms) contractors, it is reasonable to expect the disadvantaged or minority owner(s) to be knowledgeable of all aspects of the business. Accordingly, in order to clarify the level of operational involvement which a minority owner must have in a business for it to be considered eligible, the following examples are put forth, but are not intended to be all inclusive:



- a. The minority owner should have experience in the industry for which certification is being sought; and
  - b. The minority owner should demonstrate that basic decisions pertaining to the daily operations of the business are independently made. This does not necessarily preclude the disadvantaged or minority owner(s) from seeking paid or unpaid advice and assistance. It does mean that the minority owner currently must possess the knowledge to weigh all advice given and to make an independent determination.
8. **Ownership**, as defined by MDOT, means that:
- a. The minority owner(s) of the firm shall not be subject to any formal or informal restrictions, which limit the customary discretion of the owner(s). There shall be no restrictions through, for example, charter requirements, by-law provisions, partnership agreements, franchise or distributor agreements or any other agreements that prevent the minority owner(s), without the cooperation or vote of any non-minority, from making a business decision of the firm.
  - b. This means that the disadvantaged or minority persons, in order to acquire their ownership interests in the firm, have made real and substantial contributions of capital, expertise or other tangible personal assets derived from independently owned holdings without benefit of a transfer of assets, gift or inheritance from non-minority persons. Examples of insufficient contributions include a promise to contribute capital, a note payable to the firm or its owners who are not minority persons or the mere participation as an employee rather than as a manager. If the ownership interest held by a disadvantaged or minority person is subject to formal or informal restrictions, such as options, security interests, agreements, etc., held by a non-minority person or business entity, the options, security interests, agreements, etc., held by the non-minority person or business entity must not significantly impair the disadvantaged or minority person's ownership interest.
9. **Partnership** means an unincorporated association of two or more persons to carry on as co-owners of a business for profit. For a partnership to be deemed eligible for certification under the MDOT Program, the disadvantaged or minority person's interest must be at least 51 percent of the partnership capital.
10. **Socially and Economically Disadvantaged** means a citizen or lawfully admitted permanent resident of the United States who is socially disadvantaged and economically disadvantaged. The law establishes the level of personal net worth at \$1,500,000, above which an individual may not be found to be socially and economically disadvantaged.
11. **Sole Proprietorship**, as defined by MDOT, is a for-profit business owned and operated by a disadvantaged or minority person in his or her individual capacity. For a sole proprietorship to be deemed eligible for certification under the DBE/MBE Program, the disadvantaged or minority person must be the sole proprietor.

#### 4.0 MBE GOAL SETTING PROCEDURES

1. The MBE program requires that all race-neutral measures be considered before making use of race-based measures. Using a combination of race-neutral and race-based measures for each specific school construction project will help ensure that certified MBE firms are afforded the opportunity to submit bids and be utilized to the greatest extent possible.
2. Race-neutral measures include any action taken by the LEA to make it easier for all contractors, including MBEs, to compete successfully for public school construction project contracts.
3. Race-based measures include setting an overall MBE goal and MBE subgoals, if applicable, based upon race, gender, ethnicity, etc., for a specific project.
4. The overall MBE goal and the subgoals, if applicable, should be set for each specific project, considering but not limited to, the following factors:
  - a. The extent to which the work to be performed can reasonably be segmented to allow for MBEs to participate in the project;
  - b. A determination of the number of certified MBEs that potentially could perform the identified work;
  - c. The geographic location of the project in relationship to the identified certified MBEs;
  - d. Information obtained from other State departments/agencies related to establishing a MBE goal and/or

- subgoals for similar construction projects or work in the jurisdiction;
  - e. Information obtained from other State departments/agencies related to MBE participation in similar construction projects or work in the jurisdiction; and
  - f. Any other activities or information that may be identified as useful and productive.
5. The superintendent or designee shall establish one or more procurement review groups (PRG). The PRG must include at a minimum the MBE Liaison, and the procurement officer (PO) or a representative from the procurement office. The PRG could also include a capital improvement project manager, the project Architect, the cost estimator, the Construction Manager, and/or other individuals selected by the superintendent or designee.
- a. The PRG should communicate and/or meet as needed to consider the MBE subcontracting goal and subgoals, if applicable, for individual projects or groups of projects.
  - b. The PRG should consider the factors cited in 4 above when establishing the MBE goal and subgoals, if applicable, for each project or segmented piece of a project that are reasonable and attainable.
  - c. The PRG must complete and submit a written analysis for each State-funded school construction project with an estimated cost that is expected to exceed \$200,000.
    - i. For State-funded projects that require review of construction documents (CD), the written analysis shall be submitted with the CD documents to the Department of General Services, and will be reviewed by DGS for submission, appropriate signatures, and correspondence between the goal and subgoals, if applicable, indicated in the analysis and those of the procurement documents
    - ii. For State-funded projects that do not require review of construction documents, the written analysis shall be submitted to the Public School Construction Program, and will be reviewed by the PSCP for submission and appropriate signatures.
    - iii. For locally funded projects that are anticipated to be requested for State approval of planning and funding, the written analysis shall be submitted with the CD documents to the Maryland State Department of Education, and will be reviewed by MSDE for submission, appropriate signatures, and correspondence between the goal and subgoals, if applicable, indicated in the analysis and those of the procurement documents. Submission of this document is a pre-conditions for recommendation for State approval of planning and funding when submitted in an annual CIP.
  - d. For projects estimated to cost between \$50,000 and \$200,000 the same analysis form is to be completed and submitted. This could be a responsibility of the PRG, but could be performed by others as well.
    - i. For State-funded projects that require review of construction documents (CD), the written analysis shall be submitted with the CD documents to the Department of General Services, and will be reviewed by DGS for submission, appropriate signatures, and correspondence between the goal and subgoals, if applicable, indicated in the analysis and those of the procurement documents.
    - ii. For State-funded projects that do not require review of construction documents, the written analysis shall be submitted to the Public School Construction Program, and will be reviews by the PSCP for submission and appropriate signatures.
  - e. If the project cost is estimated to exceed \$200,000, then a copy of the written analysis shall also be sent to GOMA at the same time that the written analysis is submitted to the DGE or PSCP.
  - f. The PRG should consult with local counsel for the Board of Education as needed.
5. It is recognized that by utilizing the factors cited in 4 above, the MBE goal and/or subgoals, if applicable, for a specific project or portion thereof may be significantly higher than the overall goals of the program (25% overall, with 7% from African American-owned businesses and 10% from women-owned businesses). It is also recognized and possible that there will be MBE goals set that are lower than those stated above or even that no MBE goal and/or subgoals will be set for a specific project or the segmented piece of the project.
6. Assistance in reviewing the factors cited in 4 above and setting a goal and/or subgoals, if applicable, for

specific projects or a segmented piece of a project can be obtained by contacting the Public School Construction Program and/or the Governor's Office of Minority Affairs.

## 5.0 IMPLEMENTING PROCEDURES - \$50,000 OR LESS

For construction projects estimated to cost \$50,000 or less, the following procedures will be utilized

1. A MBE goal and/or MBE subgoals are not required to be set for contracts that are anticipated to be for \$50,000 or less.
2. All advertisements, solicitations, and solicitation documents shall include the following statement:
  - a. "Certified Minority Business Enterprises are encouraged to respond to this solicitation."
3. To encourage greater MBE participation the staff of the school system should send out notices of potential projects and a specific project to MBEs to solicit bids or proposals directly from minority business enterprise contractors that are certified.
4. A copy of the solicitation notice, preferably electronically, shall be sent to the Governor's Office of Minority Affairs at the same time the advertisement for the solicitation is released.
5. When a pre-bid or pre-proposal conference or meeting is held, the MBE liaison or designated representative shall explain that all bidders or offerors are encouraged to utilize certified MBEs for this project or segments of the project.
6. Upon request for a specific project, the school system shall provide one set of drawings and specifications (and addenda when issued) to minority business enterprise associations recognized by the Governor's Office of Minority Affairs. They will be available free of charge to be picked up at a location designated by the LEA. A review of the bid or proposal activity submitted by an association's members may be initiated to justify continuation of this service.
7. Minority Business Enterprise forms identified in Section 6.0 of this procedure for projects over \$50,000, are not required to be submitted for these projects (\$50,000 or less).
8. The names of prime contractors obtaining drawings and specifications will be shared with certified MBEs and MBE associations, upon request.
9. At the time of the contract award, the MBE Liaison or a designated person will record any anticipated certified minority business enterprise participation data made available from the successful contractor.
10. A business that presents itself as a minority business may participate in a project but may not be counted toward MBE participation until it is a certified minority business enterprise. If the MBE is not certified at the time of contract award, it may not be counted at that time. Only the funds paid after MDOT certification can be counted as MBE participation in the project. If a certified MBE fails to meet the standards specified in State Finance and Procurement Article 14-301 (G) and (I), Annotated Code of Maryland, the payments made to the MBE can be recorded and counted under a contract entered into when the MBE was eligible and certified. Ineligibility of an MBE to participate in the MBE program may not be the sole cause of the termination of the MBE contractual relationship for the remainder of the term of the contract.
11. The contractor will complete the Standard Monthly Contractor's Requisition for Payment (IAC/PSCP Form 306.4), specifically page 3 of 16, Minority Business Enterprise Participation, with each requisition submitted for payment. If certified MBE firms are known at the time of contract award their names and other appropriate information should be entered on page 3 of the first and all subsequent requisitions for payment. Any MBEs identified during the life of the project should be added as soon as the contractor engages them.
12. Upon completion of the project the contractor will provide a summary of the total of all funds paid to certified MBE firms. This should be within the contractor's final requisition for payment.

## 6.0 IMPLEMENTING PROCEDURES - Over \$50,000

For construction projects estimated to cost in excess of \$50,000, the following procedures will be utilized:

1. All advertisements, solicitations, and solicitation documents shall include the following statements:
  - a. "Certified Minority Business Enterprises are encouraged to respond to this solicitation notice."
  - b. "The contractor or supplier who provides materials, supplies, equipment and/or services for this construction project shall attempt to achieve the specific overall MBE goal of \_\_\_ percent established for this project. All prime contractors, including certified MBE firms, when submitting bids or proposals as general or prime contractors, are required to attempt to achieve this goal from certified MBE firms."
  - c. If subgoals have been established for this project then one of the following should be included:
    - 1) "The subgoals established for this project are \_\_\_ percent from African American-owned businesses and \_\_\_ percent from woman-owned businesses."
    - 2) "The subgoal established for this project is \_\_\_ percent from African American-owned businesses."
    - 3) "The subgoal established for this project is \_\_\_ percent from woman-owned businesses."
  - d. "The bidder or offeror is required to submit with its bid or proposal a completed Attachment A - Certified MBE Utilization and Fair Solicitation Affidavit and Attachment B - MBE Participation Schedule, as described in the solicitation documents."
  - e. If there is no overall MBE goal or MBE subgoals established for the project, then only 1.A. above is to be included.
2. Other Advertisement and Outreach Requirements
  - a. To encourage greater MBE participation the staff of the school system should send out notices of potential projects to MBEs or solicit bids or proposals directly from minority business enterprise contractors that are certified.
  - b. A copy of the solicitation notice, preferably electronically, shall be sent to the Governor's Office of Minority Affairs at the same time the advertisement for the solicitation is released.
  - c. Upon request for a specific project, the school system shall provide one set of drawings and specifications (and addenda when issued) to minority business enterprise associations recognized by the Governor's Office of Minority Affairs. They will be available free of charge to be picked up at a location designated by the LEA. A review of the bid or proposal activity by an association's members may be initiated to justify continuation of this service.
  - d. When a pre-bid or pre-proposal conference is held, the MBE Liaison or designated representative shall explain the MBE goal and subgoals, if applicable; the MBE provisions of the solicitation; the documentation required at the time of submission; its relationship to the responsiveness of the bidder or offeror; how to complete the required attachments, particularly A, B, and C; and additional information and supporting documentation that may be required after the bid or proposal opening. All contractors who attend the pre-bid or pre-proposal conference should receive a list or information explaining how to obtain a listing of certified MBE firms who could perform the work or have expressed an interest in performing the school construction work required for the specific project in the jurisdiction.
  - e. The names of prime contractors obtaining drawings and specifications will be shared with certified MBEs and MBE associations. upon request.
  - f. The MBE liaison, in conjunction with the procurement officer or project staff, should respond to all applicable questions and concerns relating to the project's MBE requirements completely and in a timely fashion to ensure that all potential contractors and subcontractors can compete effectively.
3. All Solicitation Documents Shall Include the Following:
  - a. "Certified Minority Business Enterprises are encouraged to respond to this solicitation notice".
  - b. "The contractor or supplier who provides materials, supplies, equipment and/or services for this construction project shall attempt to achieve the result that a minimum of \_\_\_ percent of the total contract value is with certified Minority Business Enterprises, with a minimum of \_\_\_ percent from certified African American-owned businesses, a minimum of \_\_\_ percent from certified women-owned businesses, and the balance from any certified Minority Business Enterprises. All contractors, including certified MBE firms, when

- submitting bids or proposals as prime contractors, are required to attempt to achieve the MBE goal and subgoals, if applicable, from certified MBEs". Note: see 6.1.C. above for variations that may be required.
- c. Each bid or offer submitted, including a submittal from a certified MBE in response to this solicitation, shall be accompanied by a completed Attachment A - Certified MBE Utilization and Fair Solicitation Affidavit and a completed Attachment B - MBE Participation Schedule. These two attachments must be accurate and consistent with each other.
- 1) Attachment A and Attachment B shall be submitted with the sealed bid price or proposal at a place, date, and time specified in the solicitation document.
  - 2) As an alternative, and at the discretion of the school system, Attachment A could be submitted with the sealed bid price or proposal at a place, date, and time specified in the solicitation document. The sealed bids or proposals received by the time specified could be held, unopened for a maximum of 30 minutes. Within that time (30 minutes) each bidder or offeror must submit Attachment B, in a separate sealed envelope. The sealed price envelopes from each bidder or offeror who submits both the sealed bid, proposal and the envelope with Attachment B will then be opened and reviewed and recorded as a viable submission. Any contractor that fails to submit the second envelope, with Attachment B, prior to the specified time allowed (30 minutes) after the submittal of the sealed bid or proposal will be deemed non-responsive and the sealed bid or proposal will not be opened or considered.
- d. The submittal of a completed and signed Attachment A - Certified MBE Utilization and Fair Solicitation Affidavit and a completed and signed Attachment B - MBE Participation Schedule indicates the bidder's or offeror's recognition and commitment to attempt to achieve the MBE goal and/or MBE subgoals, if applicable, for the specific project.
- 1) The bidder or offeror recognizes that their efforts made to initiate contact, to solicit, and to include MBE firms in this project will be reviewed carefully and evaluated based upon the actions taken by them prior to and up to 10 days before the bid or proposal opening. Follow-up actions taken by the bidder or offeror within the 10 days prior to the bid opening will also be considered.
  - 2) Based upon this review and evaluation it will be determined, by the MBE liaison, procurement officer, or a designated person, if a good faith effort was made by the apparent low bidder or apparent successful offeror.
- e. The bidder or offeror must check one of the three boxes on Attachment A, which relates to the level of MBE participation achieved for the project. The bidder's or offeror's signature indicates that in the event that they did not meet the MBE goal or subgoals, if applicable, that:
- 1) They are therefore requesting a waiver, and
  - 2) Documentation of their good faith efforts will be provided to the school system staff within 10 days of being notified that they are the apparent low bidder or apparent successful offeror.
- f. The bidder or offeror must submit Attachment B (as and when described above), which lists and provides information related to each certified MBE firm that the bidder or offeror will utilize on this project. A completed and accurate Attachment B is required. All of the work specified to be performed by each MBE firm, the contact information, MDOT certification number, minority code, the dollar values, and percentages must be correct.
- g. Attachment B should be completed and submitted with all calculations utilizing the base bid or offer only. A revised Attachment B should be submitted by the successful bidder or offeror once a determination is made as to the acceptance and/or rejection of any alternates.
- h. If a request for a waiver has been made, the appropriate box on Attachment A has been checked and the attachment signed, then the LEA should obtain and review the apparent low bidder's or successful offeror's supporting documentation of the good faith efforts to justify the granting of the waiver, prior to submitting the contract award for approval to the board of education.
- i. The following documentation shall be considered as part of the contract, and shall be furnished by the apparent low bidder or successful offeror to the MBE Liaison or designated person, within ten (10) working days from notification that the firm is the apparent low bidder or successful offeror:
- 1) A completed Attachment D - Minority Business Enterprise Subcontractor Project Participation Statement shall be completed and signed by the prime contractor and each MBE firm listed on Attachment B - MBE Participation Schedule and Attachment C - Outreach Efforts Compliance Statement shall be signed and completed by the bidder or offeror.

- 2) Notification for purposes of this procedure means the earliest of the following methods of communication: orally in person, orally by telephone, orally by a telephone message, a faxed communication, a letter by date received or an electronic communication.
- 3) The ten (10) working days do not include the day the notification is received, weekends or holidays (State or Federal), but the material submitted must be received by the close of business on the tenth day.
- 4) The requirement to submit the above-listed documentation within the time frame specified will be considered by the IAC in its review of the request for contract award for the project. Failure to submit the required documentation within the time frame specified may result in a delay of the approval of the award of the contract, or the materials being returned without the approval of the award of the contract.

#### 4. Waiver Procedures

- a. If the apparent low bidder or successful offeror has determined that they are unable to meet the overall MBE goal or subgoals, if applicable, for the project at the time of submission of a bid or offer, they must check either of the two boxes on Attachment A. The signature recognizes and acknowledges that a request for a waiver is being made. The apparent low bidder or successful offeror will therefore be required to submit information and substantiating documentation that will be reviewed to justify the granting of a waiver.
- b. If the apparent low bidder or successful offeror is unable to achieve the overall MBE contract goal and/or the MBE subgoals, if applicable, from certified African American-owned businesses and/or from certified women-owned businesses, the apparent low bidder or successful offeror shall submit, within 10 working days from notification that the firm is the apparent low bidder or successful offeror, a completed Attachment C - Outreach Efforts Compliance Statement, Attachment E - Minority Subcontractors Unavailability Certificate, and Attachment F - MBE Waiver Documentation which shall include the following:
  - 1) A detailed statement of the efforts made by the bidder or offeror to identify and select portions of the work proposed to be performed by subcontractors in order to increase the likelihood of achieving the stated goal;
  - 2) A detailed statement of the efforts made by the bidder or offeror prior to and up to at least ten (10) days before the bid or proposal opening to solicit minority business enterprises through written notices that describe the categories of work for which subcontracting is being solicited, the type of work to be performed and specific instructions on how to submit a bid or proposal;
  - 3) Follow-up actions taken by the bidder or offeror within the 10 days prior to the bid or proposal opening will also be considered.
  - 4) A detailed statement of the bidder's or offeror's efforts to make personal contact with MBE firms identified for item (2) above;
  - 5) A record of the name, address, telephone number and dates contacted for each MBE identified under items (2) and (3) above;
  - 6) A description of the information provided to MBEs regarding the drawings, specifications and the anticipated time schedule for portions of the work to be performed;
  - 7) Information on activities to assist minority business enterprises to fulfill bonding requirements or to obtain a waiver of these requirements;
  - 8) Information on activities to publicize contracting opportunities to minority business enterprises, attendance at pre-bid or pre-proposal meetings or other meetings scheduled by the MBE Liaison or designated representative; and
  - 9) As to each MBE that placed a subcontract quotation or offer which the apparent low bidder or successful offeror considers not to be acceptable, a detailed statement of reasons for this conclusion.
- c. In addition to any waiver documentation the apparent low bidder or successful offeror shall submit one completed Attachment D - Minority Business Enterprise Subcontractor Project Participation statement for each MBE firm that will participate in the project consistent with the information previously provided at the time of the submission of Attachment B or the revised Attachment B.
- d. A waiver of an MBE contract goal or subgoal, if applicable, may be granted by the school system only upon receipt of Attachment C - Outreach Efforts Compliance Statement, Attachment E - Minority Subcontractors Unavailability Certificate, and Attachment F - MBE Waiver Documentation as described above in items 1) through 9)

- 1) The MBE Liaison will review and accept or reject the minority business enterprise material that is submitted, and could obtain legal advice or assistance from their attorney.
- 2) The MBE waiver request may not be considered unless all of the documentation specified above has been submitted in a timely fashion by the apparent low bidder or successful offerer.
- 3) Assistance in the review of a request for a waiver (the documentation and justifications) may be requested from the Public School Construction Program and/or the Governor's Office of Minority Affairs.
- 4) If a determination is made that the apparent low bidder or successful offeror did make a good faith effort, based upon a review of the documentation submitted, then the waiver must be granted. The award of contract shall then be made. The material and information submitted, including the LEA's review and analysis notes and conclusion shall be retained in the project file.
- 5) If a determination is made that the apparent low bidder or successful offeror did not make a good faith effort, based upon a review of the documentation submitted, then the waiver should not be granted. The material and information submitted, including the LEA's review and analysis notes and conclusion, shall be retained in the project file. The award of contract shall then be made to the next lowest bidder or offeror, who meets the contractual requirements, including the MBE requirements.
- 6) When a waiver is granted, a copy of Attachment F - MBE Waiver Documentation, accepted and signed by a school system representative and with the reasons for the determination, shall be forwarded to the Governor's Office of Minority Affairs and the Public School Construction Program within ten (10) days after approval of the contract award by the board of education. Failure to submit the required documentation within the time frame specified may result in delayed approval of the award of contract by the IAC.

5. All Contracts Shall Include The Following:

- a. "The contractor shall perform the contract in accordance with the representations made in Attachment A - Certified Minority Business Enterprise Utilization and Fair Solicitation Affidavit and Attachment B - MBE Participation Schedule, submitted as part of the bid or proposal".
- b. "Failure to perform the contract as specified and presented in the bid or proposal submission without prior written consent of the owner shall constitute a violation of a material term of the contract".
  - 1) The contractor shall structure his/her operations for the performance of the contract to attempt to achieve the MBE goals as stated in the solicitation document.
  - 2) The contractor agrees to use his/her best efforts to carry out these requirements consistent with the efficient and effective performance of the contract.
  - 3) The contractor must ensure that all certified MBEs shall have the maximum practical opportunity to compete for additional subcontract work under the contract, even after the award of the contract.
  - 4) The contractor shall submit monthly to the MBE Liaison or the school system's designated representative a report listing any unpaid invoices, over 30 days old, received from any certified MBE subcontractor, the amount of each invoice and the reason payment has not been made.
  - 5) The contractor shall included in its agreements with its certified MBE subcontractors, a requirement that those subcontractors submit monthly to the MBE Liaison or appropriate representative a report that identifies the prime contract and lists all payments received from the contractor in the preceding 30 days, as well as any outstanding invoices, and the amount of those invoices.
  - 6) The contractor shall cooperate in any reviews of the contractor's procedures and practices with respect to minority business enterprises, which the MBE Liaison, the Public School Construction Program, and/or the Governor's Office of Minority Affairs may, from time to time, conduct.
  - 7) The contractor shall maintain such records as are necessary to confirm compliance with its MBE participation obligations. These records must indicate the identity of certified minority and non-minority subcontractors employed on the contract, the type of work performed by each, and the actual dollar value of work performed. Subcontract agreements documenting the work performed by all MBE participants must be retained by the contractor and furnished to the MBE Liaison and or appropriate representative on request.
  - 8) All records concerning MBE participation must be retained by the contractor for a period of five years after final completion of the contract, and will be available for inspection by the MBE Liaison, representatives from the Public School Construction Program and/or other designated official entities.
  - 9) At the option of the MBE Liaison or appropriate agency representative, upon completion of the contract and before final payment and/or release of retainage, the contractor shall submit a final

report in affidavit form and under penalty of perjury, of all payments made to, or withheld from MBE subcontractors.

- 10) If at any time after submission of a bid or proposal and before execution of a contract, the apparent successful bidder or offeror determines that a certified MBE listed on Attachment B - MBE Participation Schedule has become or will become unavailable, then the apparent successful bidder or offeror shall immediately notify the procurement officer and provide such officer with a reason(s) why the change has occurred. Any desired change in Attachment B - MBE Participation Schedule shall be approved in advance by the procurement officer and shall indicate the contractor's efforts to substitute another certified MBE subcontractor to perform the work. Desired changes occurring after the date of contract execution may occur only upon written approval by the LEA.
- 11) A business that presents itself as a minority business may participate in a project but the contract value may not be counted toward the MBE goal or subgoals, if applicable, until the business is certified by MDOT. If it is not certified at the time of contract award it may not be counted toward the goal or subgoals, if applicable, at that time. Only the funds paid after MDOT certification can be counted toward meeting the MBE goal or subgoals, if applicable. If a certified MBE fails to meet the standards specified in State Finance and Procurement Article.14-301, Annotated Code of Maryland, the payments made to the MBE can be recorded and counted under a contract entered into when the MBE was eligible and certified. Ineligibility of an MBE to participate in the MBE program may not be the sole cause of the termination of the MBE contractual relationship for the remainder of the term of the contract.
- 12) Contractors are encouraged to seek additional MBE participation in their contracts during the life of the project. Any additional MBE participation from certified MBEs should be reported to the MBE liaison and should be included in subsequent monthly requisitions for payment.
- 13) The contractor shall complete the Standard Monthly Contractor's Requisition for Payment (IAC/PSCP Form 306.4), specifically page 3 of 16, *Minority Business Enterprise Participation*, with each requisition submitted for payment. This submittal should accurately reflect the payments to be made that month to MBEs, and the cumulative total for the period specified. Any and all MBE firms that are identified on Attachment B – MBE Participation Schedule should be included on page 3 of the first and all subsequent requisitions for payment. Any MBEs identified during the life of the project should be added as soon as the contractor engages them.
- 14) At the completion of the project the contractor shall prepare a written summary of the final certified MBE participation in the contract as compared to the proposed participation at the time of contract award. This should include the name of each certified MBE, the amount that was anticipated to be paid at the time of contract award, the amount actually paid, and an explanation of any differences that have occurred. Special attention should be given to any situations where the final payments to any MBE was below the level of commitment at the time of contract award.

#### 6. Projects Utilizing a Construction Manager Delivery Method

This section of the procedure has been prepared based upon the utilization of Construction Manager Agency method of delivery. If another alternative method of project delivery is being considered, then these procedures would need to be adapted in consultation with the PSCP before proceeding.

- a. For projects that are being designed and solicited utilizing a Construction Manager Agency delivery method with multiple prime contracts, the school system can structure its procedures to attain the overall MBE goal and subgoals, if applicable, for the project as presented below:
- b. The MBE liaison and other school system staff should work with the project's construction manager, cost estimator, and architect, along with any other individuals who could provide assistance, to determine the overall MBE utilization strategy for the work required, appropriate bid packages, and an appropriate overall MBE goal and subgoals, if applicable, for each specific bid or proposal package.
- c. The overall MBE goal and subgoals, if applicable, for the project shall represent the aggregate of the individual goals and subgoals, if applicable, set for each bid or proposal package.
- d. In setting the specific goals and subgoals, if applicable, for each solicitation package consideration should be given to the potential for MBE participation to the maximum extent possible. The information and procedures provided in section 4.0 MBE Goal Setting Procedures should be consulted and followed for these types of projects.
- e. Prior to submitting the construction documents for State review and authorization to solicit bids or proposals, the school system's representative will prepare a complete list of the individual solicitation packages and indicate the MBE goal and subgoals, if applicable, for each solicitation package. This



- would include the overall MBE goal and subgoals, if applicable, established in the solicitation documents, the estimated cost for each solicitation package, and the estimated MBE dollar amounts for each solicitation package. A copy of this list should be submitted with the construction documents. The list should be retained as a record by the school system for comparison to the actual contracts awarded with MBE participation, and the final actual MBE participation at the completion of the project.
- f. Contractors submitting bids or proposals for solicitation packages that do not include a MBE goal and subgoals, if applicable, would not be required to submit any of the MBE attachments that are otherwise required nor would they be required to indicate that they are requesting a waiver. The school system representative would, however, request information from the contractor at the completion of the project to determine if any certified MBE firms had participated in the contract.
  - g. All other submittals of MBE materials and reporting requirements are applicable for the project, including the submittal of attachments a and b as described above in section 6.0. this includes the documentation for a request for a waiver, if applicable and appropriate.
7. Projects Utilizing an Indefinite Delivery/Indefinite Quantity (IDIQ) or Job Order Contracting (JOC) Method of Delivery
- a. The solicitation should be prepared and the overall MBE goal and subgoals, if applicable, established based upon the type of work that is anticipated to be specified or performed under the contract and the availability of certified MBEs. This could include an analysis of the percentages of the different types of work, the estimated dollar value in the entire contract, and the availability of MBEs.
  - b. If an overall goal and subgoals, if applicable, are set the bidders or offerors would be required to submit Attachment A - Certified Minority Business Enterprise Utilization and Fair Solicitation Affidavit in which they could indicate their anticipated MBE participation based upon the entire contract amount and the types of work specified. The award of contract can be made based upon their estimate of MBE participation since there is no specific task order or description of work to be performed and subcontractors have not been identified or engaged through any type of commitment or subcontract.
  - c. Since MBE participation is only anticipated in a general sense as an objective and specific contracts to MBEs have not been signed, then the contract award would not be included in any reporting to the PSCP or subsequent reporting to GOMA.
  - d. However, as the contract proceeds and individual task orders and/or purchase orders are issued, the contractor should submit Attachment B - MBE Participation Schedule for any and all projects or work where MBE subcontractors and/or suppliers might reasonably be utilized. Discussions between the contractor or offeror and the LEA as the task orders and/or purchase orders are being developed should address this aspect of the contract requirements.
  - e. Any MBE participation should be recorded by the MBE liaison and reported to the PSCP MBE Liaison as the task orders and/or purchase orders are approved.
  - f. The contractor shall complete the Standard Monthly Contractor's Requisition for Payment (IAC/PSCP FORM 306.4), specifically page 3 of 16, *Minority Business Enterprise Participation*, with each requisition submitted for payment. This submittal should accurately reflect the payments to be made that month to MBE S, and the cumulative total for the period specified. Any and all MBE firms that are identified on Attachment B - MBE Participation Schedule should be included on page 3 of the first and all subsequent requisitions for payment. Any MBEs identified during the life of the project should be added as soon as the contractor engages them.
  - g. At the completion of the contract period or the full utilization of the contract's value a report should be prepared by the LEA MBE Liaison and submitted to the PSCP MBE Liaison summarizing the MBE participation in each and all of the task orders or purchase orders issued under the contract. This should include the anticipated MBE participation prior to the issuance of the solicitation, the MBE participation anticipated at the time of contract award and the actual MBE participation at the completion of the contract.
8. Projects Utilizing the Design/Build Delivery Method
- a. The solicitation is for both A/E services and the actual construction of a public school project. The solicitation should be prepared and the MBE goal and subgoals, if applicable, established for the construction work that is anticipated for the project. The goal setting procedures described in Section 4.0 above should be utilized for these types of projects.
  - b. The bidders or offerors should be required to submit Attachment A - Certified Minority Business Enterprise Utilization and Fair Solicitation Affidavit on which they would indicate their anticipated

MBE participation based upon the construction work anticipated and their understanding of the MBE goal and subgoals, if applicable, the types of work involved, and the availability of certified MBEs for the project. Since there are no detailed plans or designs for the project and there are no contracts or subcontracts for the actual construction work there is no need to submit any other MBE attachments, at this time.

- c. If the bidder or offeror, who is to be awarded this contract has indicated that they do not anticipate achieving the overall MBE participation goal and subgoals, if applicable, for this project on Attachment A, then they are in effect requesting a waiver. They will be required to submit documentation at a later date to justify this request.
- d. As the project proceeds through the design phase and the project is nearing the completion of the construction documents for submission to the State to review, the Design/Build Team (team) in consultation with LEA representatives should discuss the opportunities and potential for certified MBEs to participate in the project.
- e. The team should begin to identify potential contractors and subcontractors, opportunities to segment the project, and MBEs that could participate in the project.
- f. At a point in time that is approximately 30 days prior to the anticipated CD submission to the State, the team should complete and submit Attachment B - MBE Participation Schedule to the LEA for their review and approval.
- g. If the team had indicated on Attachment A that they would meet the goals and the information on Attachment B indicates that they did meet the goals then the team should proceed with the construction of the project.
- h. If the team had indicated on Attachment A that they did not anticipate meeting the overall MBE goal and subgoals, if applicable, or only a portion of the goal and subgoals, if applicable, then Attachment B should be reviewed by the LEA. The team should, at this time, submit their documentation in support of the waiver requested.
- i. The proposed MBE participation should be reviewed and a determination made as to whether the team has made a good faith effort to meet the MBE goals and subgoals, if applicable, established for the project and as stated on Attachment A, previously submitted.
- j. If a request for a waiver is made and approved, Attachment F – MBE Waiver Documentation should be signed by a school system representative and submitted to the PSCP and the Governor’s Office of Minority Affairs.
- k. Since there was no MBE participation reported at the time of the award of the Design/Build contract, the LEA would submit the entire package of information, including all of the MBE related attachments to the PSCP within ten (10) days of the team being directed to proceed with the actual construction work.
- l. All other submittals of MBE materials and reporting requirements are applicable for the project, as described above in Section 6.0.

## 7.0 RECORDS AND REPORTS

1. The MBE Liaison shall maintain such records as are necessary to confirm compliance with its Minority Business Enterprise Procedures and activities. The records shall be maintained until the project is audited by the Public School Construction Program. These records shall include by project:
  - a. The contractor report submitted at the completion of the project;
  - b. The identity of the minority contractors employed on the project;
  - c. The type of work performed;
  - d. The actual dollar value of the work, services, supplies or equipment; and
  - e. The MBE percentage of the total contract.
2. The MBE Liaison will maintain a record of all waivers approved for each project or solicitation package where the prime contractor was unable to achieve the established overall goal or subgoals, if applicable. The MBE Liaison will, however, report to the PSCP all MBE participation by MDOT certified firms who are prime contractors, subcontractors, suppliers, or otherwise making an economically viable contribution to each project. This information shall be reported to PSCP within ten (10) days after approval of the award of the contract by the board of education.
3. The LEA shall submit the “Certified Minority Business Enterprise Participation Standard Monthly Contractor’s Requisition for Payment” (IAC/PSCP Form 306.4 page 3 of 16, located in the Administrative

Procedures Guide), which is Attachment G in this procedure, to the PSCP Director of Fiscal Services as part of the regular monthly request for payment for the project.

4. The LEA shall submit the "Close-Out Cost Summary" (IAC/PSCP Form 306.6 located in the Administrative Procedures Guide), which is Attachment H of this procedure, along with the "Certified Minority Business Enterprise Participation Standard Monthly Contractor's Requisition for Payment" (IAC/PSCP Form 306.4) to the PSCP Director of Fiscal Services within 180 days of completion of the project.
5. Each fiscal year end, PSCP Fiscal Services will create a report "Payments Made To Contractors during The Fiscal Year" and maintain such records as are necessary to confirm compliance with its minority business enterprise procedures and activities.
6. Each fiscal year end, PSCP Fiscal Services will create a report "Projects Completed During the Fiscal Year" and maintain such records as are necessary to confirm compliance with its Minority Business Enterprise Procedures and activities. This report will compare the overall MBE goal and subgoals, if applicable, for each specific project with the MBE participation anticipated at the time of contract award and the actual MBE participation at the completion of the project.

## **8.0 MONITORING**

1. The LEA's procurement personnel or project staff shall verify that the certified MBE's listed in the MBE participation schedule are actually performing the work.
2. The LEA's procurement personnel shall ensure that MBE subcontractors are receiving compensation as set forth in the MBE participation schedule by ensuring that the contractor submits monthly reports, listing any unpaid invoices over 30 days old received from any certified MBE subcontractor, the amount of each invoice, and the reason payment has not been made.
3. The MBE Liaison and/or the Public School Construction Program will conduct reviews as deemed necessary to confirm compliance with the minority business enterprise participation requirements.
4. The MBE Liaison will maintain appropriate records, and shall assist the Public School Construction Program in on-site or post-audit reviews upon request.
5. Auditors from the Public School Construction Program will have access to and the ability to audit MBE participation for specific projects, information retained by the LEA, and/or submitted to the IAC in reports/forms filed by the LEA as referenced above.

## **9.0 MINORITY BUSINESS ENTERPRISE LIAISON**

1. The Superintendent shall designate an individual to be identified as the MBE Liaison for the school system.
2. The MBE Liaison will be the contact person who will work with the Public School Construction Program and the Governor's Office of Minority Affairs to implement the Minority Business Enterprise Program for the school system and the State of Maryland.
3. The Superintendent will immediately notify the Public School Construction Program if there is a change in the MBE Liaison for the school system.

CERTIFIED MINORITY BUSINESS ENTERPRISE  
UTILIZATION AND FAIR SOLICITATION AFFIDAVIT

**NOTE: You must include this document with your bid or offer. If you do not submit the form with your bid or offer, the procurement officer shall deem your bid non-responsive or your offer not reasonably susceptible of being selected for award.**

\* \* \* \* \*

**Part I.**

I acknowledge the:

- Overall certified MBE subcontract participation goal of 10% and
- The subgoals, if applicable, of:
- N/A% for certified African American-owned businesses and
- N/A% for certified Asian American-owned businesses.

I have made a good-faith effort to achieve this goal. If awarded the contract, I will continue to attempt to increase MBE participation during the project.

**Part II.**  
Check ONE Box

**NOTE: FAILURE TO CHECK ONE OF BOXES 1, 2, or 3 BELOW WILL RENDER A BID NON-RESPONSIVE OR AN OFFER NOT REASONABLY SUSCEPTIBLE OF BEING SELECTED FOR AWARD**

**NOTE: INCONSISTENCY BETWEEN THE ASSERTIONS ON THIS FORM AND THE INFORMATION PROVIDED ON THE MBE PARTICIPATION SCHEDULE (ATTACHMENT B) MAY RENDER A BID NON-RESPONSIVE OR AN OFFER NOT REASONABLY SUSCEPTIBLE OF BEING SELECTED FOR AWARD**

- 1  I have met the overall MBE goal and MBE subgoals for this project. I submit with this Affidavit [Attachment A] the *MBE Participation Schedule* [Attachment B], which details how I will reach that goal.
- or
- 2  After having made a good-faith effort to achieve the overall MBE goal and MBE subgoals for this project, I can achieve partial success only. I submit with this Affidavit [Attachment A] the *MBE Participation Schedule* [Attachment B], which details the MBE participation I have achieved.

I request a partial waiver as follows:

- Waiver of overall MBE subcontract participation goal:      %
- Waiver of MBE subcontract participation subgoals, if applicable:
- % for certified African American-owned businesses and
- % for certified Asian American-owned businesses.

Within 10 days of being informed that I am the apparent awardee, I will submit *MBE Waiver Documentation* [Attachment F] (with supporting documentation).

or

- 3  After having made a good faith effort to achieve the overall MBE goal and MBE subgoals for this project, I am unable to achieve any portion of the goal or subgoals. I submit with this Affidavit [Attachment A] the *MBE Participation Schedule* [Attachment B].

I request a full waiver.

Within 10 days of being informed that I am the apparent awardee, I will submit *MBE Waiver Documentation* [Attachment F] (with supporting documentation).

### Part III.

I understand that if I am the apparent awardee or conditional awardee, I must submit **within 10 working days** after receiving notice of the potential award or within 10 days after the date of conditional award – whichever is earlier – the:

- *Outreach Efforts Compliance Statement* (Attachment C)
- *Subcontractor Project Participation Statement* (Attachment D)
- *Minority Subcontractors Unavailability Certificate* (Attachment E) (if applicable)
- Any other documentation the Procurement Officer requires to ascertain my responsibility in connection with the MBE participation goal and subgoals

I acknowledge that if I fail to timely return complete documents, the Procurement Officer may determine that I am not responsible and therefore not eligible for contract award. If the contract has been awarded, the award is voidable.

I acknowledge that the MBE subcontractors/suppliers listed in the *MBE Participation Schedule* and any additional MBE subcontractor/suppliers identified in the *Subcontractor Project Participation Statement* will be used to accomplish the percentage of MBE participation that I intend to achieve.

In the solicitation of subcontract quotations or offers, MBE subcontractors were provided the same information and amount of time to respond as were non-MBE subcontractors.

The solicitation process was conducted in such a manner so as to not place MBE subcontractors at a competitive disadvantage to non-MBE subcontractors.

**I solemnly affirm under the penalties of perjury that this Affidavit is true to the best of my knowledge, information, and belief.**

\_\_\_\_\_  
Bidder/Offeror Name

\_\_\_\_\_  
Address

\_\_\_\_\_  
Address (continued)

\_\_\_\_\_  
Affiant Signature

\_\_\_\_\_  
Printed Name & Title

\_\_\_\_\_  
Date

Attachment B

MBE PARTICIPATION SCHEDULE

REVISED

This document must be included with the bid or offer. If the bidder or offeror fails to submit this form with the bid or offer as required, the procurement officer shall deem the bid non-responsive or shall determine that the offer is not reasonably susceptible of being selected for award.

1. Prime Contractor's Name		2. Prime Contractor's Address and Telephone Number	
3. Project/School Name		4. Project/School Location	
5. LEA and PSC No.		6. Base Bid Amount \$ _____ Accepted Alternates \$ _____ Total \$ _____	
7a. Minority Firm Name		Minority Firm Address	
Minority Firm Telephone Number _____ Minority Firm Fax Number _____ MDOT Certification Number _____		Minority Group Type <input type="checkbox"/> (African American) <input type="checkbox"/> (Women) <input type="checkbox"/> (Asian) <input type="checkbox"/> (Hispanic) <input type="checkbox"/> (American Indian) <input type="checkbox"/> (Disabled)	
Work to be Performed and Subcontract Dollar Amount		Percent of Total Contract	
7b. Minority Firm Name		Minority Firm Address	
Minority Firm Telephone Number _____ Minority Firm Fax Number _____ MDOT Certification Number _____		Minority Group Type <input type="checkbox"/> (African American) <input type="checkbox"/> (Women) <input type="checkbox"/> (Asian) <input type="checkbox"/> (Hispanic) <input type="checkbox"/> (American Indian) <input type="checkbox"/> (Disabled)	
Subcontract Dollar Amount		Percent of Total Contract	
7c. Minority Firm Name		Minority Firm Address	
Minority Firm Telephone Number _____ Minority Firm Fax Number _____ MDOT Certification Number _____		Minority Group Type <input type="checkbox"/> (African American) <input type="checkbox"/> (Women) <input type="checkbox"/> (Asian) <input type="checkbox"/> (Hispanic) <input type="checkbox"/> (American Indian) <input type="checkbox"/> (Disabled)	
Subcontract Dollar Amount		Percent of Total Contract	
8. MBE Total Dollar Amount		9. Total MBE Percent of Entire Contract	
10. Form Prepared by : Name _____ Title _____ Date _____		11. Reviewed and Accepted by Board of Education MBE Liaison Name _____ Title _____ Date _____	

Total MBE Participation:	_____ %	\$ _____
Total African-American MBE Participation:	_____ %	\$ _____
Total Asian-American MBE Participation:	_____ %	\$ _____
Total Other Participation:	_____ %	\$ _____

MCPS 04/21/15

MINORITY BUSINESS ENTERPRISES PROCEDURES

00801-B

**Attachment C**

**OUTREACH EFFORTS COMPLIANCE STATEMENT**

In conjunction with the bid or offer submitted in response to \_\_\_\_\_ County Public Schools for the \_\_\_\_\_ project, PSC # \_\_\_\_\_, I state the following:  
(name)

- 1) Bidder/Offeror identified opportunities to subcontract in these specific work categories:
  
- 2) Attached to this form are copies of written solicitations (with bidding instructions) used to solicit certified MBEs for these subcontract opportunities.
  
- 3) Bidder/Offeror made the following attempts to contact personally the solicited MBEs:
  
- 4)  Bidder/Offeror assisted MBEs to fulfill or to seek waiver of bonding Requirements (Described Efforts)  
 This project does not involve bonding requirements.
  
- 5)  Bidder/Offeror did/did not attend the pre-bid conference  
 No pre-bid conference was held.

\_\_\_\_\_  
Bidder/Offeror Name

By: \_\_\_\_\_

\_\_\_\_\_  
Address

\_\_\_\_\_  
Name, Title

\_\_\_\_\_  
Date



Attachment D

MINORITY BUSINESS ENTERPRISES SUBCONTRACTOR PROJECT PARTICIPATION STATEMENT

PROJECT/ SCHOOL NAME: \_\_\_\_\_
PROJECT/ SCHOOL LOCATION: \_\_\_\_\_
LEA: \_\_\_\_\_
NAME OF PRIME CONTRACTOR: \_\_\_\_\_
NAME OF MBE SUBCONTRACTOR: \_\_\_\_\_

MDOT Certification Number \_\_\_\_\_

- 1. Work/Services to be performed by MBE Subcontractor: \_\_\_\_\_
2. Subcontract Amount: \$ \_\_\_\_\_
3. Bonds - Amount and type required of Subcontractor if any: \_\_\_\_\_
4. MBE Anticipated or Actual Commencement Date: \_\_\_\_\_ Completion Date: \_\_\_\_\_
5. This MBE subcontract represents the following percentage of the total contract cost: \_\_\_\_\_
6. This is an African American Firm: Yes \_\_\_\_\_ No \_\_\_\_\_
7. This is a Women Owned Business Firm: Yes \_\_\_\_\_ No \_\_\_\_\_
8. This is an Asian, American Indian, Hispanic or Disabled Firm: Yes \_\_\_\_\_ No \_\_\_\_\_
(Circle One)

\*\*\*\*\*

The undersigned subcontractor and prime contractor will enter into a contract for the work/service indicated above upon the prime contractor's execution of a contract for the above referenced project with the \_\_\_\_\_ Board of Education. The undersigned subcontractor is a MDOT certified Minority Business Enterprise. The terms and conditions stated above are consistent with our agreements.

Signature of Subcontractor: \_\_\_\_\_
Date: \_\_\_\_\_

The term and conditions stated above are consistent with our agreements.

Signature of Prime Contractor: \_\_\_\_\_
Date: \_\_\_\_\_

Attachment E

MINORITY SUBCONTRACTOR UNAVAILABILITY CERTIFICATE

1. It is hereby certified that the firm of \_\_\_\_\_
(Name of Minority firm)
located at \_\_\_\_\_
(Number) (Street)
(City) (State) (Zip)

was offered an opportunity to bid on the \_\_\_\_\_
school project
in \_\_\_\_\_ County by \_\_\_\_\_
(Name of Prime Contractor's Firm)

\*\*\*\*\*

2. The \_\_\_\_\_ (Minority Firm) is either unavailable for the work/service or
unable to prepare a bid for this project for the following reason(s):

\_\_\_\_\_  
\_\_\_\_\_  
\_\_\_\_\_

Signature of Minority Firm's MBE Representative Title Date

MDOT Certification # Telephone #

1. To be completed by the prime contractor if Section 2 of this form is not completed by the minority firm.

To the best of my knowledge and belief, said Certified Minority Business Enterprise is either unavailable for the work/service
for this project, is unable to prepare a bid, or did not respond to a request for a price proposal and has not completed the above
portion of this submittal.

Signature of Prime Contractor Title Date

**Attachment F**

**MBE WAIVER DOCUMENTATION**

**Project Name:** \_\_\_\_\_ PSC. No. \_\_\_\_\_

**Base Contract Amount** \$ \_\_\_\_\_

**Plus Accepted Alternates** \_\_\_\_\_

**Equals Total Contract Amount** \$ \_\_\_\_\_

I have previously requested that a waiver be granted to the overall MBE goal for this project of \_\_\_\_\_ percent, with a minimum of \_\_\_\_\_ percent from certified African American-owned businesses, a minimum of \_\_\_\_\_ percent from certified women-owned businesses, and the balance from all certified minority business enterprises, if applicable. This would include the total dollar value of all materials, supplies, equipment, and services, including construction services directly or indirectly, from Minority Business Enterprises (MBE) which are currently certified by the Maryland Department of Transportation (MDOT).

I \_\_\_\_\_, hereby certify that my position is  
(Name of Company Representative)

\_\_\_\_\_, and I am the duly authorized representative of  
(Position Title)

\_\_\_\_\_  
(Company Name)

I further certify that I have submitted a Schedule for Participation of Certified Minority Business Enterprises which reflects the percentage and dollar value of certified Minority Business Enterprise participation which my company expects to achieve for this contract. Therefore, the request for the waiver is as follows:

**Summary MBE Participation Schedule from Attachment B**

Minority Group	MBE GOAL		Actual MBE Dollar Participation		Request For Waiver	
	Dollar Value of Total Contract*	Percent of Total Contract	Dollar Value	Percent of Total Contract	Dollar Value	Percent of Total Contract
a. Sub Goal African American						
b. Sub Goal Asian American						
c. Other * in Sub Goal Group a/b above						
<b>TOTALS</b>						

\* with accepted/rejected alternates

To support this request for a waiver, I include the following information as attachments which I certify to be true to the best of my knowledge.

1. A detailed statement of the efforts made by the contractor to identify and select portions of the work proposed to be performed by subcontractors in order to increase the likelihood of achieving the stated goal;
2. A detailed statement of the efforts made by the contractor prior to and up to 10 days before the bid opening to solicit minority business enterprises through written notices that describe the categories of work for which subcontracting is being solicited, the type of work to be performed, and specific instructions on how to submit a bid;
3. A detailed statement of the contractor's efforts to make personal contact with MBE firms identified for Item 2. above;
4. A record of the name, address, telephone number, and dates contacted for each MBE identified under items 2. and 3. above;
5. A description of the information provided to MBE's regarding the plans, specifications and the anticipated time schedule for portions of the work to be performed;
6. Information on activities to assist minority business enterprises to fulfill bonding requirements, or to obtain a waiver of these requirements;
7. Information on activities to publicize contracting opportunities to minority business enterprises, attendance at pre-bid meetings, or other meetings scheduled by the MBE Liaison or designated representative;
8. As to each MBE that placed a subcontract quotation or offer which the apparent low bidder or successful offeror considers not to be acceptable, a detailed statement of reasons for this conclusion; and
9. A list of minority subcontractors found to be unavailable. This shall be accompanied by a Minority Subcontractor Unavailability Certificate signed by the minority business enterprise or from the apparent low bidder or successful offeror indicating that the minority business did not provide the written certification.

Signature \_\_\_\_\_ Date \_\_\_\_\_  
(Company Representative Name)

Sworn and subscribed before me this \_\_\_\_\_ day.

of in the year \_\_\_\_\_ Notary Public \_\_\_\_\_  
-----

Reviewed and accepted by the \_\_\_\_\_ County Board of Education MBE Liaison.  
(County Name)

Signature \_\_\_\_\_ Date \_\_\_\_\_  
(County Representative Name)

MBE Request for waiver Master Form (July 2002)

**ATTACHMENT G**

IAC/PSCP

306.4

**CERTIFIED MINORITY BUSINESS ENTERPRISE PARTICIPATION  
STANDARD MONTHLY CONTRACTOR'S REQUISITION FOR PAYMENT**

LEA: \_\_\_\_\_ DATE: \_\_\_\_\_  
 FACILITY NAME: \_\_\_\_\_ PSC NO: \_\_\_\_\_  
 SCOPE OF WORK: \_\_\_\_\_ REQ NO: \_\_\_\_\_

Name of MBE Sub-Contractor	MDOT Certification Number and Classification	TOTAL MBE Contract Amount	Amount to be Paid THIS Requisition	TOTAL Paid to Date	MBE has Received FINAL Payment?	If amount paid LESS than TOTAL MBE Contract Amount, EXPLAIN VARIANCE
TOTAL:		\$ -	\$ -	\$ -		

**MDOT Certification Number and Classification can be located at <http://mbe.state.mdot.state.md.us/directory/>**

**MBE Classification:**

- |                       |                              |
|-----------------------|------------------------------|
| African American = AA | African American/Women = AAW |
| Hispanic American = H | Hispanic American/Women = HW |
| Native American = N   | Native American/Women = NW   |
| Asian American = A    | Asian American/Women = AW    |
| Women = W             |                              |

I certify that the figures and information presented above represent accurate and true statements, that timely payments have been and will be made to suppliers and subcontractors on this project as requisitioned payments are received, and in accordance with our contracts.

\_\_\_\_\_  
Name of Contractor Firm

\_\_\_\_\_  
Authorized Contractor Signature/Date

\_\_\_\_\_  
Contractor Federal Tax ID #

\_\_\_\_\_  
Contractor MBE Classification # (if applicable)

---

Name of LEA MBE Liaison (Printed)

---

Signature of LEA MBE Liaison/Date

**APPENDIX B**

**CONTRACTOR'S CERTIFICATION  
OF RECEIPT OF PAYMENT**

IAC/PSCP FORM 306.2a  
This form must accompany IAC/PSCP Form  
306.2, Request for Reimbursement to LEA, if  
Canceled check(s) are not provided.

LEA:

PROJECT TITLE: \_\_\_\_\_

PSC NO: \_\_\_\_\_

I hereby certify that payment in the amount of \$ \_\_\_\_\_, check number \_\_\_\_\_ dated  
\_\_\_\_\_ has been received from \_\_\_\_\_ Public Schools and deposited  
to \_\_\_\_\_ bank) on \_\_\_\_\_ (date) for capital  
improvements made to \_\_\_\_\_ school/project),

Name of Contractor Firm

\_\_\_\_\_  
Authorized Signature

Date

**NOTARIZATION**

County \_\_\_\_\_ to wit:

I hereby certify that on this \_\_\_\_\_ day of \_\_\_\_\_ in the year of \_\_\_\_\_  
before me, a Notary Public for said County, personally appeared \_\_\_\_\_ (name),  
and made oath in due form of law that he/she is \_\_\_\_\_ (title)  
of \_\_\_\_\_ (name of firm), and on behalf of said firm stated that the  
matters and facts set forth in the foregoing verification are true to the best of his/her knowledge, information and belief.  
He/she acknowledged that he/she executed the same purposes herein contained and that they had full authority to  
execute same.

As witness my hand and official seal:

NOTARY PUBLIC

**APPENDIX C**

**STATE PROJECT IDENTIFICATION SIGN**

**AND INSTRUCTIONS**

**(2 Pages)**





## **FOR SCHOOL CONSTRUCTION SIGN**

The following appropriate language should be entered on the construction sign to describe the work for the specific project (or modified as required):

- Renovating
- Constructing an Addition and Renovating
- Constructing an Addition to
- Constructing a Replacement School for
- Constructing the New
- Constructing a Pre-Kindergarten Addition at
- Renovating the Science Laboratories at
- Replacing the Roof at
- Replacing the Boilers at
- Replacing the Windows at

**APPENDIX D**

**MCPS EMERGENCY/CRISIS PROCEDURES, SHELTER/LOCKDOWN**

# ***Emergency Preparedness Procedures***

## ***Key Points for Lockdown-Evacuate-Shelter (Les)***

### ***Lockdown***

This is a term used to describe an emergency at an MCPS facility. Lockdown alerts staff that imminent danger exists inside or outside the building, and requires moving to an immediate lockdown mode. It requires that all students are under supervision. *The on-site emergency team (OSET) is not activated during a Lockdown.*

#### **Persons authorized to call a Lockdown**

School administrators or their designee will notify students, staff and visitors via the PA system and the portable radios when a Lockdown is in effect. Directions should be given to immediately move to a lockdown mode. Staff should make the announcement and notify 911 and Office of School Performance.

#### ***Lockdown Alert—Staff Guidance***

- When the administrator/designee announces a Lockdown, scan the immediate area outside the classroom or office for any students and staff. Allow them in the classroom/office, and immediately lock or secure the door if possible.
- Make the room look *unoccupied* by turning off the lights, close/cover the windows and blinds, and move away from the line of sight from the doors and windows. Remain silent.
- If staff and students are inside the building but outside a classroom or office when a Lockdown is called, move students to the nearest securable location.
- Staff supervising students outside when a Lockdown alert occurs inside the building should be notified of the Lockdown activation by P.A. or two-way radio. Staff and students should move to a pre-determined safe location identified on the emergency plan away from the building and maintain communication with the command post.
- Ignore the fire alarm system and class change bells.
- Wait for further instructions.

### ***Evacuate***

There are two evacuation alerts, *Fire and Directed*.

#### ***Fire Evacuation***

- Activate Fire Evacuation Alarm
- Students/staff/visitors leave the building by the nearest exit
- Proceed to a point at least 50 feet from the building
- Perform an accountability of the students/staff/visitors

#### ***Directed Evacuation***

- Will be used during possible High Level Bomb threats, an identified Suspicious Package or an Inside Hazardous Material Release
- Notify 911 and OSP
- Determine plan to direct everyone away from the known danger area
- Announce via PA and portable radio
- Students/staff/visitors must evacuate to a point at least 300 feet from the building
- 

### ***Shelter***

This is a term used to alert staff that an emergency exists at or near an MCPS facility. It requires all students to be accounted for and under supervision. Administrators may activate the OSET and set up a command post when appropriate. There are three types of shelters: *Public Safety, Severe Weather and Outside Hazardous Materials Release.*

#### **Persons authorized to call a Shelter alert**

Administrators or their designee will notify students/staff/visitors via the PA system and the portable radios when a Shelter alert is activated. It is recommended that an “age-appropriate” announcement of a Shelter alert include a brief description of the nature and location of the incident.

#### ***Public Safety Shelter Alert- Staff Guidance***

*When the administrator announces a Public Safety Shelter alert:*

- Bring outside students/staff/visitors into the main building, portable classrooms are secured but not evacuated
- Outside doors are locked and kept secured
- Students should be accounted for in an instructional area.
- Classroom instruction should continue
- Staff must document attendance and report any discrepancies to an administrator/designee.
- During a Public Safety Shelter alert, classroom lockdown is not required.
- *The OSET* may be activated by an administrator during a Public Safety Shelter alert via a PA announcement and over the portable radios.
- Depending on the situation (the nature of the emergency or potential threat), it may not be appropriate to change classes. In these situations, class bells should be turned off and students/staff should remain in their classrooms until directed otherwise by the administrator/designee.
- Do not ignore the fire alarm system.

***Severe Weather Shelter*** – A severe thunderstorm or tornado warning is activated for the area near the school.

- Students/staff/visitors must report to identified weather safe areas inside the building.
- Portable classrooms are to be evacuated to the main building.
- Bring emergency kit/phone with Nextel phone and ensure the NOAA weather radio is continually monitored

#### ***Outside Hazardous Material Release Shelter***

***Alert*** is a term used to describe a specific shelter alert due to an outside air contamination emergency at or near the building. This could be the result of a suspected chemical, biological, or radiological incident; or a nearby hazardous materials spill.

## ***Outside Hazardous Material Release Alert-Staff Guidance***

When activating an Outside Hazardous Material Release Shelter alert, take the following steps immediately:

- Announce a *Outside Hazardous Material Release Shelter Alert*
- Bring students/staff/visitors into the main building from outdoor activities
- Evacuate portable classrooms in consultation if safe to do so
- Secure/lock exterior doors and windows
- Hold students in their current locations inside the building until the best course of action can be determined
- Turn off electrical power to ensure immediate shutdown of HVAC
- Ignore fire alarm system—only in this Outside Hazardous Material Release Shelter alert.

### ***Parent/Child Reunification***

All schools have plans in place to reunite students with their parents/guardians in the event of an emergency at a school. This process will ensure the safe and orderly reuniting of students and parents/guardians. Schools will ensure they use a three-step approach.

- Identify parents (using ID)
- Identify student location in the school or PCR location, sign out student
- Unite student and parent/guardian

### ***Firearms***

- Avoid attempts to disarm/subdue an armed subject.
- Notify administrator/designee and school-based security of any firearm incidents immediately, and call 911 with details.
- Determine need to implement a Lockdown or Public Safety Shelter alert.
- Abandoned/discarded firearms should be covered by appropriate means and never left unattended.

### ***Bomb Threat Assessment***

- Factors to consider:
  - Details/specifics provided by the bomb caller
  - Number of prior threats to the school
  - Current events surrounding the school
  - Demeanor of the bomb caller
- Based on an assessment of the situation and input from the administration of the school, the Department of School Safety and Security and the police, the administrator will make a decision on evacuation. If the parties do not agree, this disagreement will be resolved in favor of evacuation. (Refer to MCPS Regulation EKC-RA.) Use a Directed Evacuation to evacuate the school
- Evacuation is warranted **only** if the threat level is high.
- Evacuation is not warranted if the threat level is low.
- It is recommended that an activation of a Public Safety Shelter alert and the use of sweep/scan teams be used during a low level threat when the building is not evacuated.

### ***Bomb Threats Call Trace***

- Use “call trace” procedures on the yellow *Telephone Bomb Threat Checklist* card. Follow instructions exactly.
- After hanging up the phone, press \*57 on the same line the call came in on.
- Press \*47 if you have 279 or 517 exchanges on your school phone number.
- Do not dial “9” before you dial \*57 or \*47.
- Notify school administration immediately

- Report the bomb threat to 911 and OSP.
- Inform the 911 operator of “call trace” activation.
- 

### ***Bomb Threat Sweep/Scan***

- In certain circumstances, staff volunteers may be asked to sweep/scan the facility or grounds for any suspicious items.
- A sweep/scan should be conducted in teams and only by visual means (eyes and ears only).
- If a suspicious item is discovered during a sweep/scan, evacuate to a 300-foot safe zone and notify administrator immediately.
- If a suspicious item is located, do not use a radio or cell phone in the immediate area within 25 feet in all directions.
- No suspicious item should be handled in any manner by school staff (do not touch it!).

### ***Hazardous Material Spills***

These guidelines should be followed in the event of a chemical incident in which there is potential for a significant release of hazardous materials. Spill response procedures will vary depending on whether the spill is **small** (less than 18 inches in diameter), **medium** (exceeds 18 inches, but is less than 6 feet), or **large** (exceeds 6 feet in diameter, and any “running” spill that has not been stopped). If a potential biological agent threat or incident is present, follow MCPS Biological Agent Threats/Incidents guidelines.

**General Spill Control Techniques:** Once a spill has occurred, the staff at the spill site must decide whether the spill is small enough to handle without outside assistance. Guidance should be obtained from science resource teachers or staff with a chemistry background. (i.e., in science labs, chemistry labs, automotive shop areas). *Only staff who are properly trained under OSHA Regulation 1910.120 should attempt to contain or clean up a small spill.*

**Small Spill Evacuation:** Evacuate the immediate area and surrounding areas whenever the air is or could become untenable (i.e., experiencing difficulty breathing, watery eyes, upper respiratory congestion or tightness in chest, coughing, runny nose, etc.). Also evacuate the immediate area or building if material is emitting vapors or fumes.

*If a medium or large hazardous chemical/material spill occurs inside your school building—*

- An administrator/designee should call 911 and OSP immediately with detailed information (obtain the chemical MSDS, if available at time of spill incident).
- Evacuate the building immediately using a **Directed Evacuation** to funnel students/staff away from danger area.
- Notify building security and building services staff.
- Secure the area around the spill area.
- Follow instructions from fire and rescue services personnel.

*If a medium or large hazardous chemical/material spills occurs immediately outside your school building—*

- An administrator/designee should call 911 and OSP immediately with detailed information.
- Shut windows and doors and turn off ventilation systems.
- Notify building security and building services staff.
- Turn class-change bells off, if appropriate.
- Follow instructions from fire and rescue services personnel.
- Activate the Outside Hazardous Material Release alert, if appropriate.



**APPENDIX F**

**Montgomery County Public Schools  
Division of Maintenance**

**OVERTIME REIMBURSEMENT AGREEMENT**

**Facility:** \_\_\_\_\_

**Contractor:** \_\_\_\_\_

**Description of work to be performed:** \_\_\_\_\_

**Date:** \_\_\_\_\_ **Hours Required:** \_\_\_\_\_

**Date:** \_\_\_\_\_ **Hours Required:** \_\_\_\_\_

**Date:** \_\_\_\_\_ **Hours Required:** \_\_\_\_\_

**Date:** \_\_\_\_\_ **Hours Required:** \_\_\_\_\_

**Date:** \_\_\_\_\_ **Hours Required:** \_\_\_\_\_

**Date:** \_\_\_\_\_ **Hours Required:** \_\_\_\_\_

**Notice: Contractor agrees to pay all overtime costs for building service personnel as required to perform work at a premium rate. These costs shall be deducted from the Contractor's final invoice.**

\_\_\_\_\_  
(MCPS Representative Approval)

\_\_\_\_\_  
(Date)

\_\_\_\_\_  
(Authorized Contractor Representative Acceptance)

\_\_\_\_\_  
(Date)

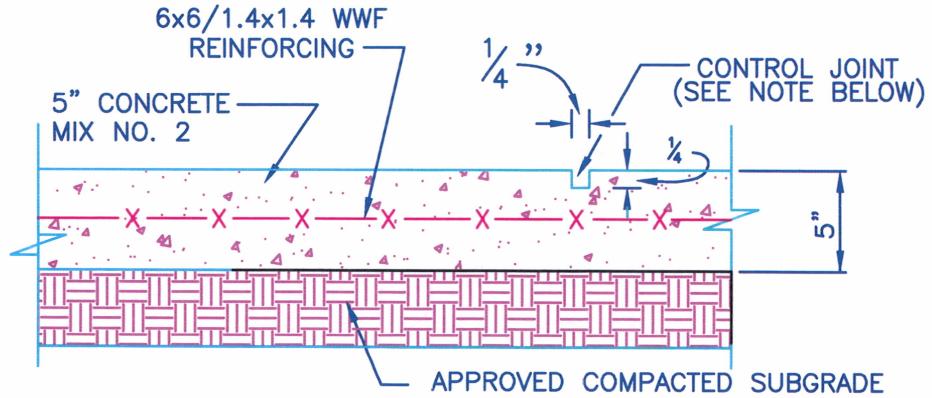
\_\_\_\_\_  
(MCPS Contract Officer Approval)

\_\_\_\_\_  
(Date)

**APPENDIX G**

**CONCRETE DRAWINGS ATTACHED**

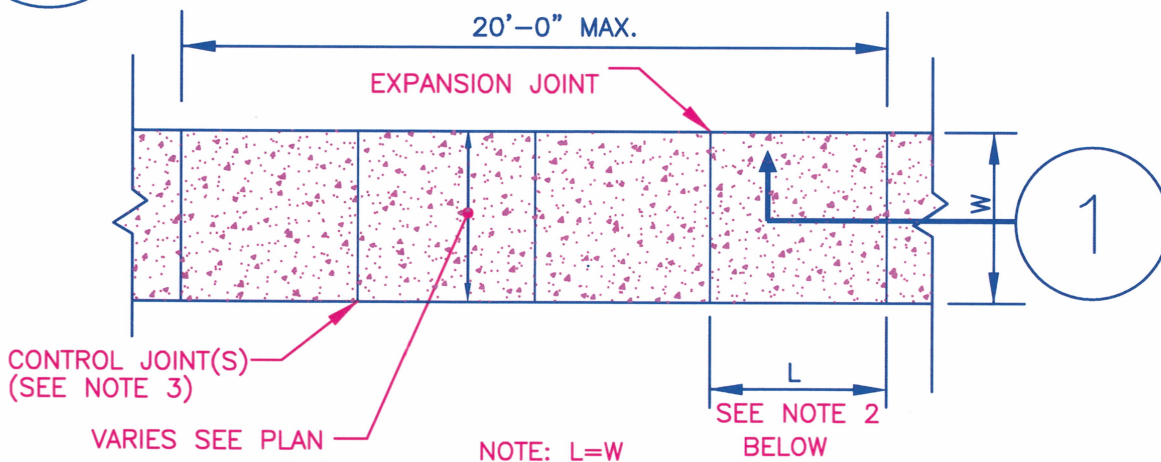




**NOTES:**

1. 1/2" EXPANSION JOINTS @ 20' O.C. AND AT ALL AREAS WHERE PAVING ABUTS OTHER WALKS AND STRUCTURES (TYP.)
2. SCORING JOINTS SHALL BE PLACED AT 4' O.C. (MIN.) IN BOTH DIRECTIONS

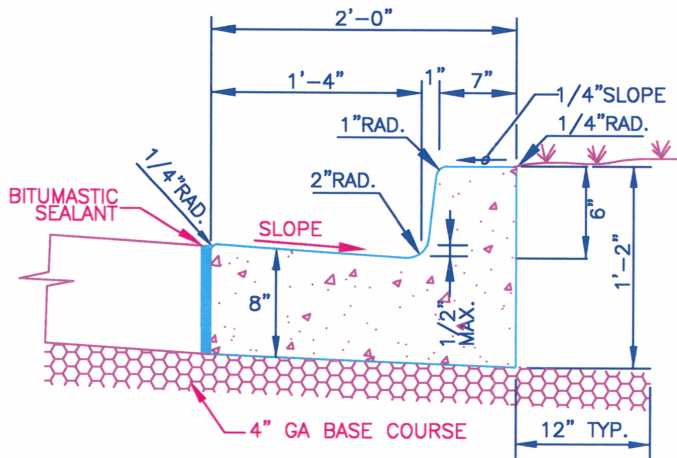
**1 CONCRETE SIDEWALK DETAIL**  
NOT TO SCALE



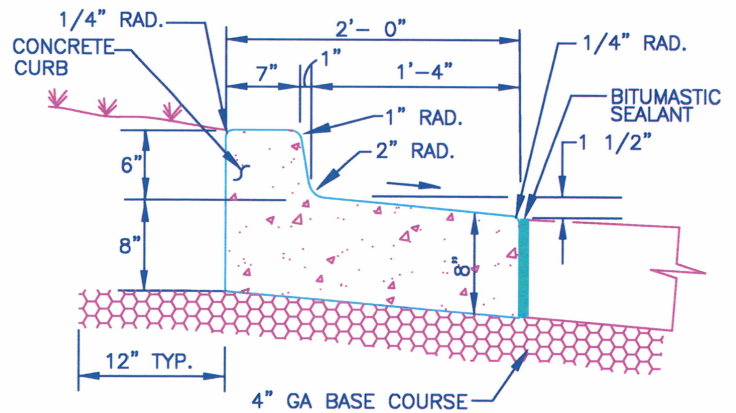
**NOTES:**

1. ALL CONCRETE SHALL BE 6% AIR-ENTRAINED, 3000 P.S.I. SHA MIX. NO. 2, MIN.
2. PROVIDE CONTROL JOINTS EVERY 4'-0" MIN. BOTH DIRECTIONS PROVIDE 1/2" EXPANSION JOINT EVERY 20' O/C MAX. MARK EXPANSION/CONTRACTION JOINTS FOR SIDEWALK WIDTHS 4'-0" TO 8'-0". IF "W" IS 8'-0" OR GREATER, ADD LONGITUDINAL CONTRACTION JOINT @  $\phi$  OF SIDEWALK.
3. CONTROL JOINTS SHALL BE SAW-CUT OR FORMED, 1 1/4" DEEP AND 3/8" WIDE SEE DETAIL 5, ON THIS SHEET.
4. PROVIDE 1/2" EXPANSION JOINT FILLER WHERE SIDEWALK ABUTS CURB OR OTHER RIGID STRUCTURE(S).

**2 CONCRETE SIDEWALK PLAN VIEW**  
NOT TO SCALE



CURB/WITH NORMAL GUTTER



CURB/WITH SPILL GUTTER

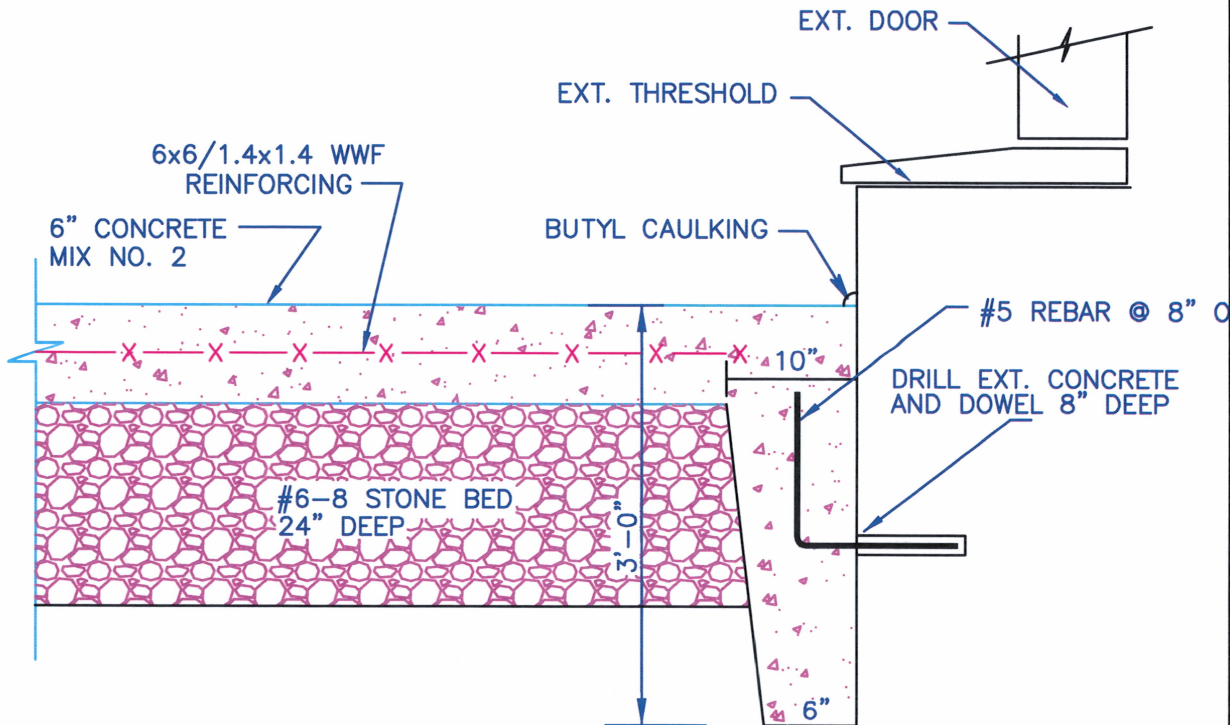
GENERAL NOTES

1. REFER TO MONTGOMERY COUNTY DEPARTMENT OF PUBLIC WORKS AND TRANSPORTATION SPECIFICATIONS FOR MATERIALS, METHODS OF CONSTRUCTION AND EXPANSION JOINT LOCATIONS PER MC DOT MC-100.01
2. EXPANSION JOINT MATERIAL SHALL BE 1 1/2 INCH PREFORMED CORK, TRIMMED AND SEALED WITH NON-STAINING TWO-COMPONENT POLYSULFIDE OR POLYURETHANE ELASTOMERIC TYPE SEALANT COMPLYING WITH FS TT-S-00227, (NON-EXTRUDING).
3. THE STANDARD DISTANCE BETWEEN JOINTS SHALL BE 10' (MAXIMUM AND MINIMUM DISTANCES SHALL BE 13' AND 5' RESPECTIVELY).
4. USE SPILL CURB WHERE ADJACENT PAVEMENT SLOPE FALLS AWAY FROM CURB.

3

CONCRETE CURB & GUTTER

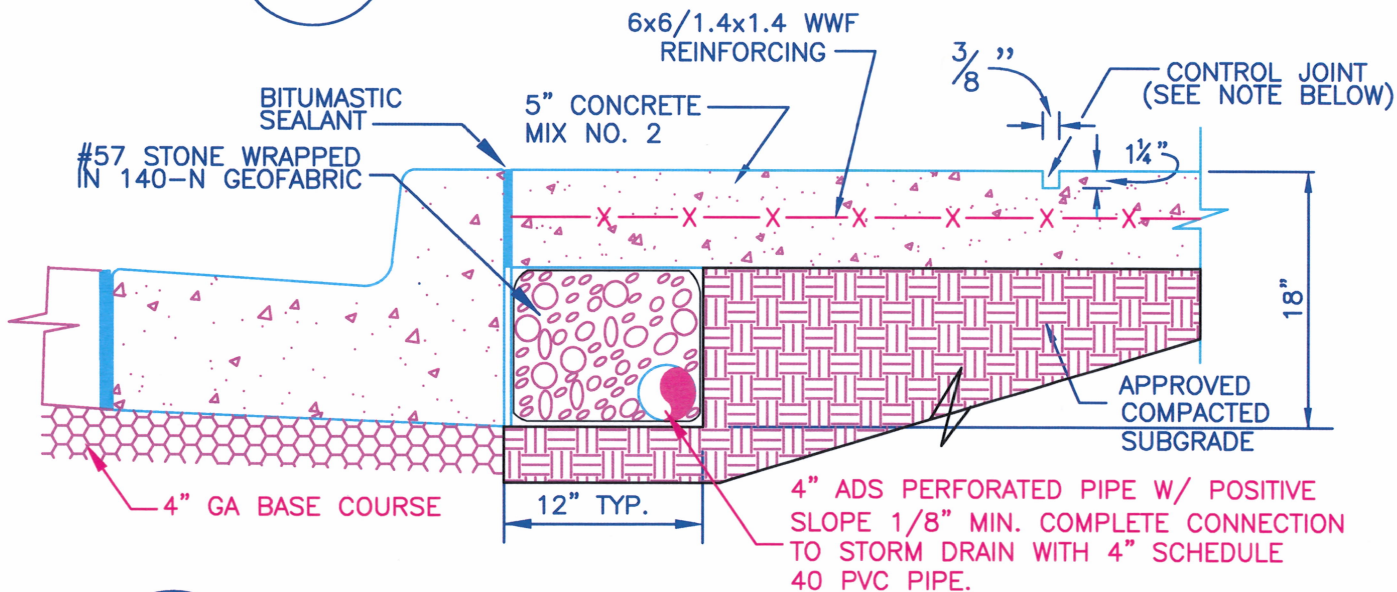
NOT TO SCALE



**NOTES:**

- SEAL BETWEEN NEW AND EXISTING CONCRETE UNDER THRESHOLD USING BUTYL CAULK
- NEW 6" THICK CONCRETE SLAB ON A #6-8 STONE BED WITH A MIN. OF 24" DEEP  
THE SLAB SHALL BE A MINIMUM LENGTH OF 4' FROM THE BUILDING AND TO THE NEXT EXPANSION JOINT.

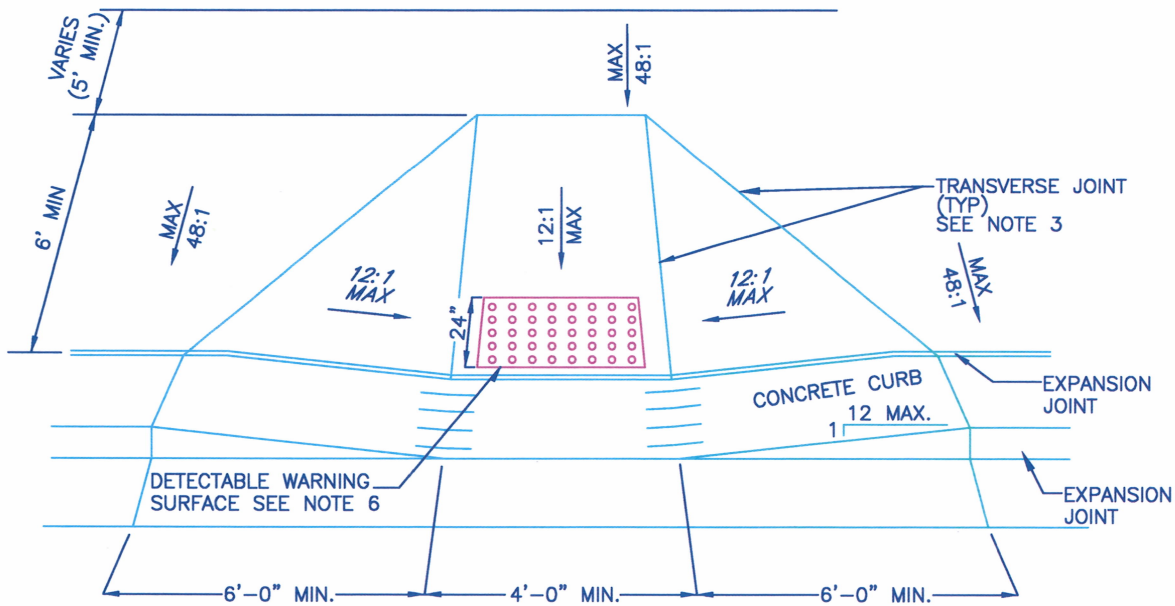
**4 DOOR THRESHOLD DETAIL**  
NOT TO SCALE



**5 HEAVING CONCRETE SIDEWALK DETAIL**  
NOT TO SCALE

MONTGOMERY COUNTY PUBLIC SCHOOLS	CONCRETE UNIT PRICE BID	FEBRUARY 12, 2016	
	SCALE: NOT TO SCALE	DRAWN BY: CFC	3 of 7



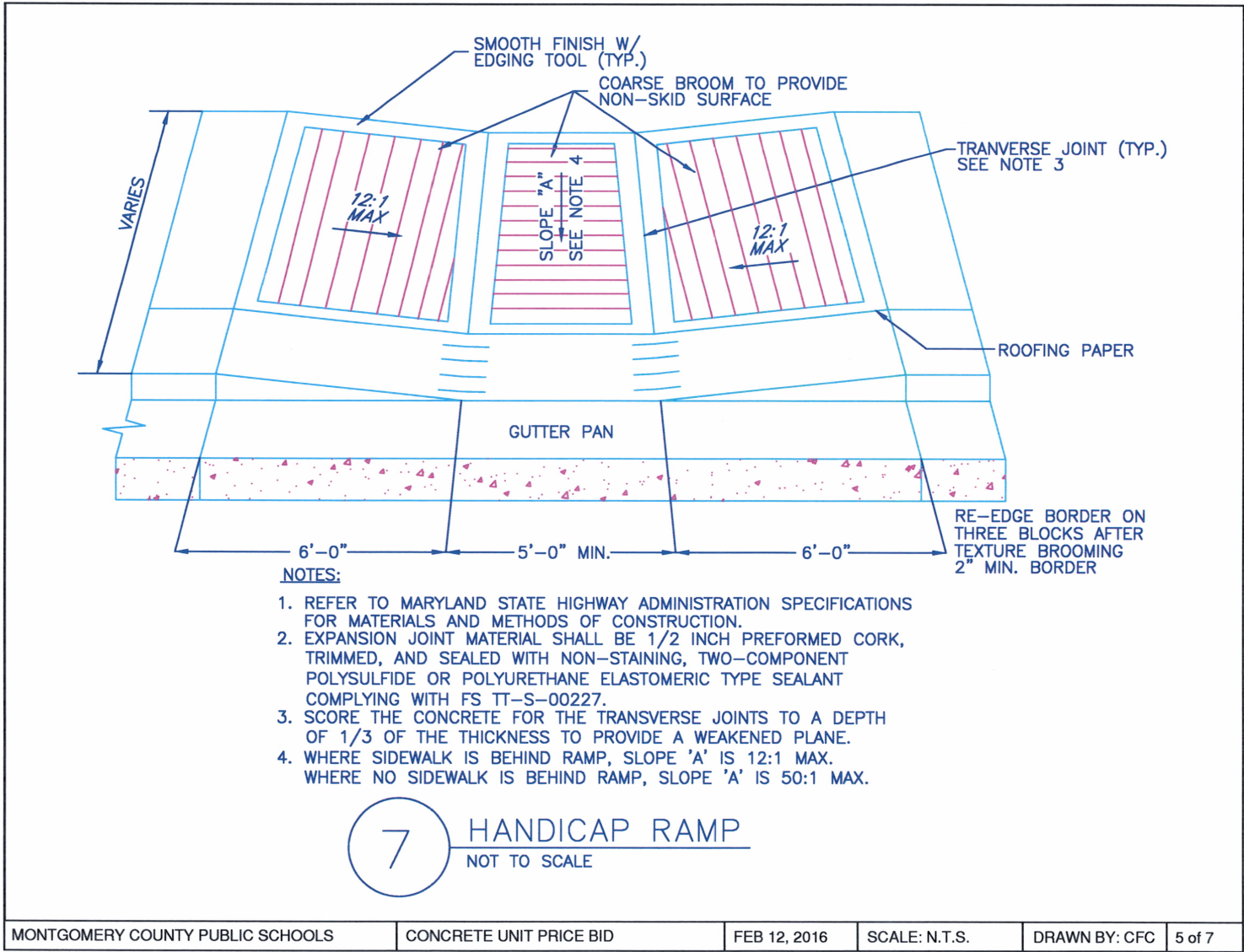


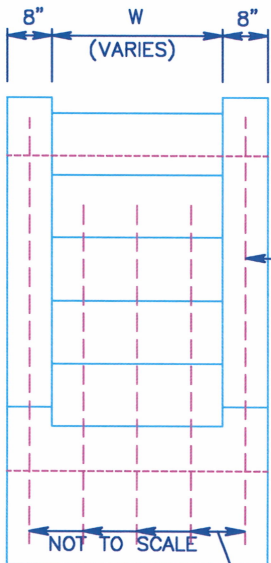
**NOTES:**

1. SHALL BE IN CONFORMANCE WITH MDOT-SHA STD. NO. MD-655.11.
2. REFER TO THE MARYLAND STATE HIGHWAY ADMINISTRATION SPECIFICATIONS FOR MATERIALS AND METHODS OF CONSTRUCTION.
3. EXPANSION JOINT MATERIAL SHALL BE 1/2 INCH PREFORMED CORK, TRIMMED, AND SEALED WITH NON-STAINING, TWO-COMPONENT POLYSULFIDE OR POLYURETHANE ELASTOMERIC TYPE SEALANT COMPLYING WITH FS TT-S-00227.
4. TRUCATED DOME PAVER MUST COMPLY WITH MDOT-SHA STD. NO. MD-655.40 DETECTABLE WARNING SURFACES.
5. THERE SHALL BE A MAX. ELEVATION DIFFERENCE OF 1/4" BETWEEN SURFACES PER ADA.
6. PROVIDE MDOT-SHA STD. NO. MD-655.40 WITH DETECTABLE WARNING SURFACE.

6

**HANDICAP RAMP PERPENDICULAR**  
 NOT TO SCALE





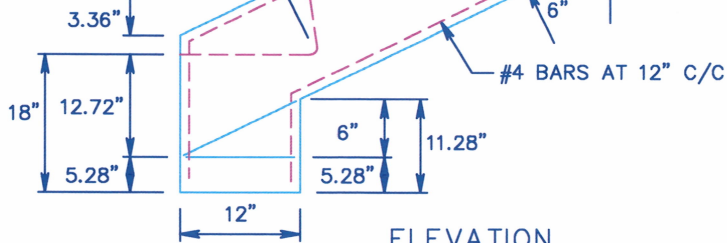
**NOTES:**

1. ALL REINFORCING TO BE #4 BARS, CONFORMING TO A.S.T.M DESIGNATION A-615 GRADE 40. 1" COVER. (TYP)
2. ALL CONCRETE SHALL BE SHA MIX NO. 3.
3. FOR HANDRAIL DETAIL, SEE DETAIL 2, THIS SHEET.

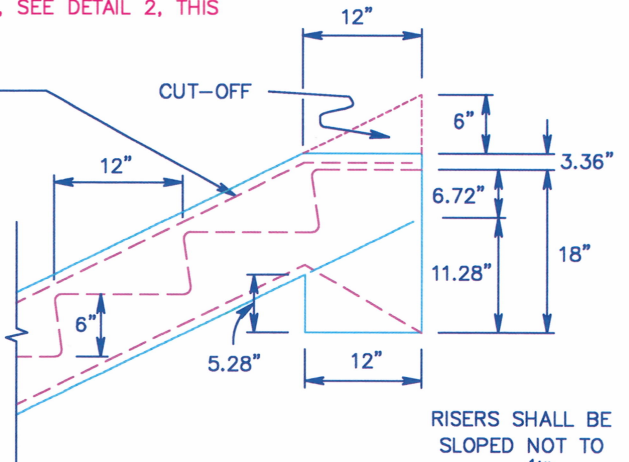
1-#4 BAR EACH SIDE

CUT-OFF

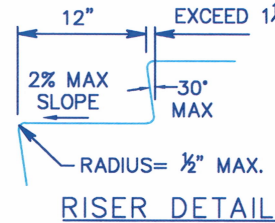
FRONT VIEW



ELEVATION



RISERS SHALL BE SLOPED NOT TO EXCEED 1 1/2" MAX.



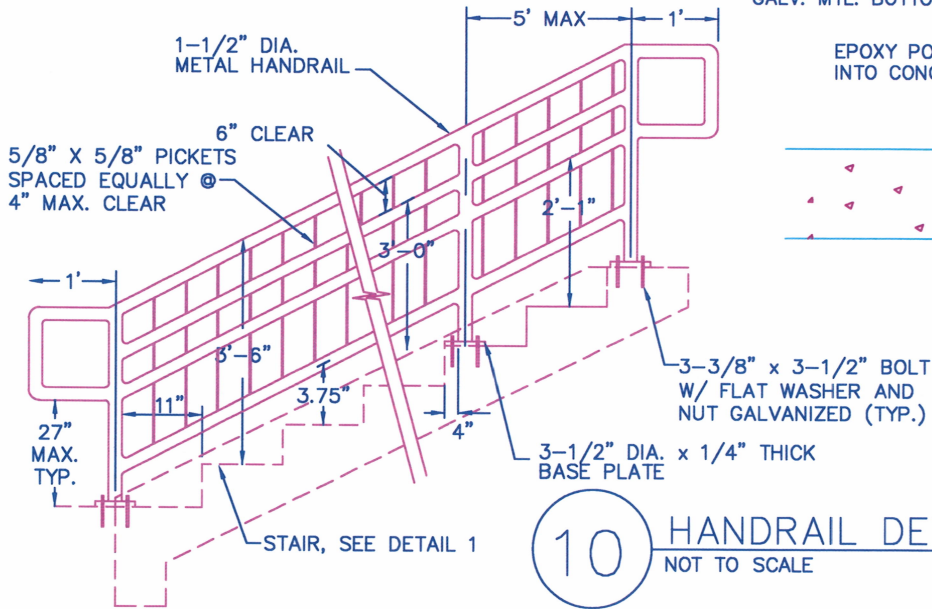
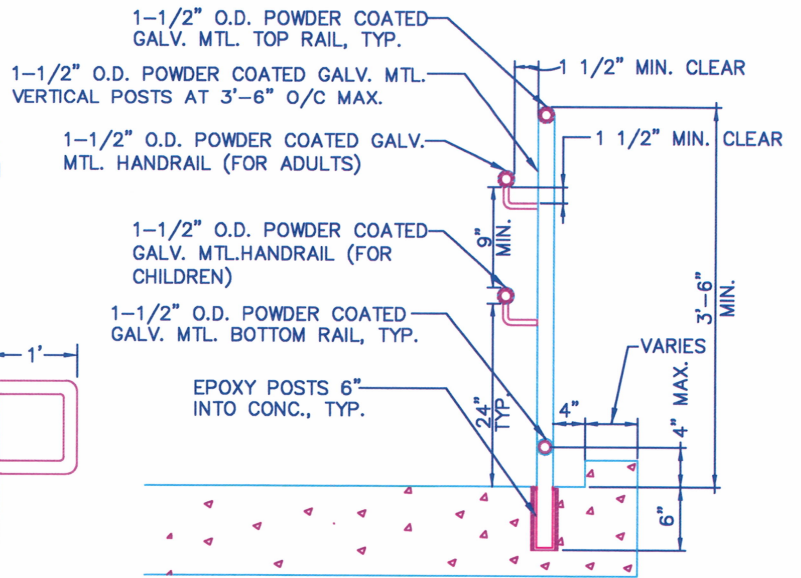
RISER DETAIL

8

CONCRETE STAIR ON GRADE DETAIL

NOTES:

1. HANDRAIL TO BE PROVIDED FOR STAIRS WITH 3 OR MORE RISERS
2. EXTERIOR HANDRAIL SHALL BE POWDER COATED WITH BLACK COLOR.
3. 5' MAX. BETWEEN VERTICAL POSTS.
4. ALL MATERIALS SHALL COMPLY WITH MARYLAND STATE HIGHWAY ADMINISTRATION STANDARDS FOR CONSTRUCTION AND MATERIALS, LATEST EDITION.



9 HANDRAIL SECTION  
NOT TO SCALE

10 HANDRAIL DETAIL  
NOT TO SCALE

**APPENDIX H**

**CONCRETE QUOTATION FORM**

COMPANY NAME: \_\_\_\_\_

---

Bidder shall supply all required information for each line item. Bidders must submit a price for each line item. No partial bids will be allowed. **DO NOT ALTER THE QUOTATION FORM IN ANYWAY.** Failure to comply with the above shall be consider non-responsive and disqualify your bid. Prices below are to be all-inclusive, including all materials, excavation, preparation tasks, and installation labor cost etc.

**ESTIMATED CONTRACT VALUE: \$300,000.00**

ITEM #	DESCRIPTION	ANNUAL EST. QTY.	UNIT	UNIT COST	TOTAL COST
1	Removal, Disposal and Replacement of 5" Thick Concrete Sidewalk (Including all preparation tasks) See drawings 1 and 2	5,000	Sq.Yd.		
2	New Installation of 5" Thick Concrete Sidewalk (Including all excavation and preparation tasks) See drawings 1 and 2	2,000	Sq.Yd.		
3	Removal, Disposal and Replacement of 7" thick concrete aprons, (Including transitions where applicable)	1,000	Sq.Yd.		
4	Removal, Disposal and Replacement of Concrete Steps (5" to 7" rise and 11" to 13" tread width) Including all Hand-rail pockets as required	1,000	Ln. Ft.		
5	New Installation of Concrete Steps (5" to 7 rise and 11" to 13" tread width) Including all Hand-rail pockets as required	500	Ln.Ft.		
6	Removal, Disposal and Replacement of Concrete Curb and/or Combination Curb and Gutter	2,500	Ln.Ft.		



**QUOTATION FORM – CONTINUED (Page 2 of 5)**

**COMPANY NAME:** \_\_\_\_\_

<b>ITEM #</b>	<b>DESCRIPTION</b>	<b>ANNUAL EST. QTY.</b>	<b>UNIT</b>	<b>UNIT COST</b>	<b>TOTAL COST</b>
7	New Installation of concrete curb and/or combination curb and gutter. See drawing # 3	2,500	Ln.Ft.		
8	Concrete Saw cuts (6" Minimum Depth)	200	Ln.Ft		
9	Furnish and Install Maryland Certified Sod (Including Watering and Fertilizing)	1,000	Sq.Yd.		
10	Removal and Disposal of Asphalt Walkways	500	Sq.Yd.		
11	Doorway threshold modifications as specified. See drawing # 4	300	Sq.Ft.		
12	Percentage over direct cost for various type of Painted Steel Hand Railing as required (Including Removal, Disposal and Installatio)	500	Ln.Ft.	N/A	
13	Installation of steel rebar Grade 60	1 Ton	Per Ton		
14	Installation of asphalt Expansion Joint	500	Ln.Ft.		
15	Installation of curing compound	1000	Sq.Ft.		
16	Installation of butyl caulking at edges	500	Ln. Ft.		
17	Installation of 8" thick monolithic concrete pad with turndown to frost at 30"	100	Sq.Yd.		
18	Installation of new handicap ramp with gutter pan. See drawing #5	5	each		

**QUOTATION FORM – CONTINUED (Page 3 of 5)**

**COMPANY NAME:** \_\_\_\_\_

ITEM #	DESCRIPTION	ANNUAL EST. QTY.	UNIT	UNIT COST	TOTAL COST
19	Installation of new handicap ramp with detectable warning pad. Drawing # 6	5	each		
20	Handicap Ramp with Gutter Pan: Removal/Disposal of existing sidewalk and curb as required, including the installation of new handicap ramp with gutter pan. (See Drawing # 5 herein)	5	each		
21	Handicap Ramp with Detachable Warning Pad: Removal/Disposal of existing side walk and curb as required, including the installation of new handicap ramp with detectable warning pad. (See Drawing #6 herein)	5	each		
22	Remove/Disposal and Replacement of 5” Thick Concrete Slab.	1,000	Sq. Yd.		
23	Remove/Disposal and Replacement of Floor Drains MCPS Approved.	10	each		
24	Seal Concrete work with Trojan Masonry & Concrete Sealer.	5,000	Sq. Yd.		
25	TOTAL COST ITEM 1 THROUGH 24	N/A	N/A	N/A	\$
26	<p>State and Federal funds may be involved in future projects. Provide hourly rates for reporting purposes only.</p> <p>a. Concrete Finishing per hour \$ _____</p> <p>b. Unskilled Labors per hour \$ _____</p>				

**QUOTATION FORM – CONTINUED (Page 4 of 5)**

**COMPANY NAME:** \_\_\_\_\_

- **HAS THE BIDDER PERFORMED THEIR PRELIMINARY RESEARCH IN IDENTIFYING MINORITY BUSINESS ENTERPRISE PARTICIPATION AND INCLUDED WITH THEIR BID SUBMISSION THE COMPLETED CERTIFIED MINORITY BUSINESS ENTERPRISE UTILIZATION AND FAIR SOLICITATION AFFIDAVIT AND THE MINORITY BUSINESS ENTERPRISE PARTICIPATION SCHEDULE?**

• **YES** \_\_\_\_\_ **NO** \_\_\_\_\_

- **HAS THE BIDDER EVER HAD LATE CHARGES DEDUCTED AS A RESULT OF FAILURE TO COMPLETE ON TIME?**

**YES** \_\_\_\_\_ **NO** \_\_\_\_\_

- **IS A COPY OF THE MARYLAND CONTRACTOR'S LICENSE SUPPLIED WITH THE BID SUBMISSION?**

**YES** \_\_\_\_\_ **NO** \_\_\_\_\_

- **HAS BIDDER INCLUDED WITH THEIR BID SUBMISSION A LETTER CERTIFYING THEY HAVE BEEN IN BUSINESS A MINIMUM OF FIVE YEARS, AND HAVE A MINIMUM OF FIVE YEARS EXPERIENCE PERFORMING THE TYPE OF WORK SPECIFIED HEREIN?**

**YES** \_\_\_\_\_ **NO** \_\_\_\_\_

- **HAS THE BIDDER CAREFULLY REVIEWED THE BIDDING DOCUMENTS AND CLEARLY UNDERSTANDS THE SCOPE OF WORK REQUIRED?**

**YES** \_\_\_\_\_ **NO** \_\_\_\_\_

- **DID BIDDER READ AND UNDERSTAND MBE GOAL REQUIREMENTS?**

**YES** \_\_\_\_\_ **NO** \_\_\_\_\_

**QUOTATION FORM – CONTINUED (Page 5 of 5)**

**COMPANY NAME:** \_\_\_\_\_

- **HAS BIDDER READ THE BIDDING DOCUMENT IN DETAIL PRIOR TO SUBMITTING THEIR BID?**

YES \_\_\_\_\_ NO \_\_\_\_\_

- **HAS BIDDER FAMILIARIZED THEMSELVES WITH THE ANNOTATED CODE OF MARYLAND SECTION 11-722 AND HAVE SCREENED THEIR WORK FORCES, ENSURING NO REGISTERED SEX OFFENDER WILL BE PERFORMING WORK AT ANY MCPS FACILITY?**

YES \_\_\_\_\_ NO \_\_\_\_\_

- **HAS BIDDER COMPLETED CONTRACTOR OBLIGATION REGARDING CRIMINAL RECORDS OF INDIVIDUALS ASSIGNED TO WORK AT MCPS PROPERTIES AND FACILITIES?**

YES \_\_\_\_\_ NO \_\_\_\_\_

**CHECK OFF LIST FOR MANDATORY BID SUBMITTAL**

**Mandatory Submittals Check List:**

- \_\_\_\_\_ **Signed Invitation for Bid, including Non-Debarment Acknowledgement**
- \_\_\_\_\_ **Quotation Form, (pages 1-5)**
- \_\_\_\_\_ **Addendum(s) and Erratum(s) (If any, contractor is responsible to confirm)**
- \_\_\_\_\_ **MBE Attachments A and B**
- \_\_\_\_\_ **Maryland; Construction Business License or Home Improvement Commission License**
- \_\_\_\_\_ **Letter of Experience and years in Business as specified**
- \_\_\_\_\_ **Bid Security**
- \_\_\_\_\_ **References**